

ARCHITECT
BYRON CARSON
5134 ELMORE ROAD, SUITE 6
MEMPHIS, TN 38134
Telephone: 901-573-3329

CONSULTANTS

CIVIL ENGINEER
DAVID EVANS
102 HICKORY LANE
BATESVILLE, MS 38606
PH - 662-902-5005

MECHANICAL ENGINEER
HNA ENGINEERING, PLLC
11880 CRANSTON DRIVE, SUITE 104
ARLINGTON, TN 38002
T: (901) 484-1365

PLUMBING ENGINEER
HNA ENGINEERING, PLLC
11880 CRANSTON DRIVE, SUITE 104
ARLINGTON, TN 38002
T: (901) 484-1365

ELECTRICAL ENGINEER
HNA ENGINEERING, PLLC
11880 CRANSTON DRIVE, SUITE 104
ARLINGTON, TN 38002
T: (901) 484-1365

JVD OFFICE
GOODMAN ROAD EAST
SOUTHAVEN, MS

INDEX OF DRAWINGS

CS 001 COVER SHEET

ARCHITECTURAL
S100 FOUNDATION PLAN
S101 STRUCTURAL PLAN
LS100 LIFE SAFETY PLAN
A101 FIRST FLOOR PLAN
A102 SECOND FLOOR PLAN
A104 ROOF PLAN
A200 EXTERIOR ELEVATIONS
A201 EXTERIOR ELEVATIONS
A103 REFLECTED CEILING PLAN
A303 DETAILS
A400 ENLARGED PLAN
A500 DOOR SCHEDULE
A501 ROOM FINISH

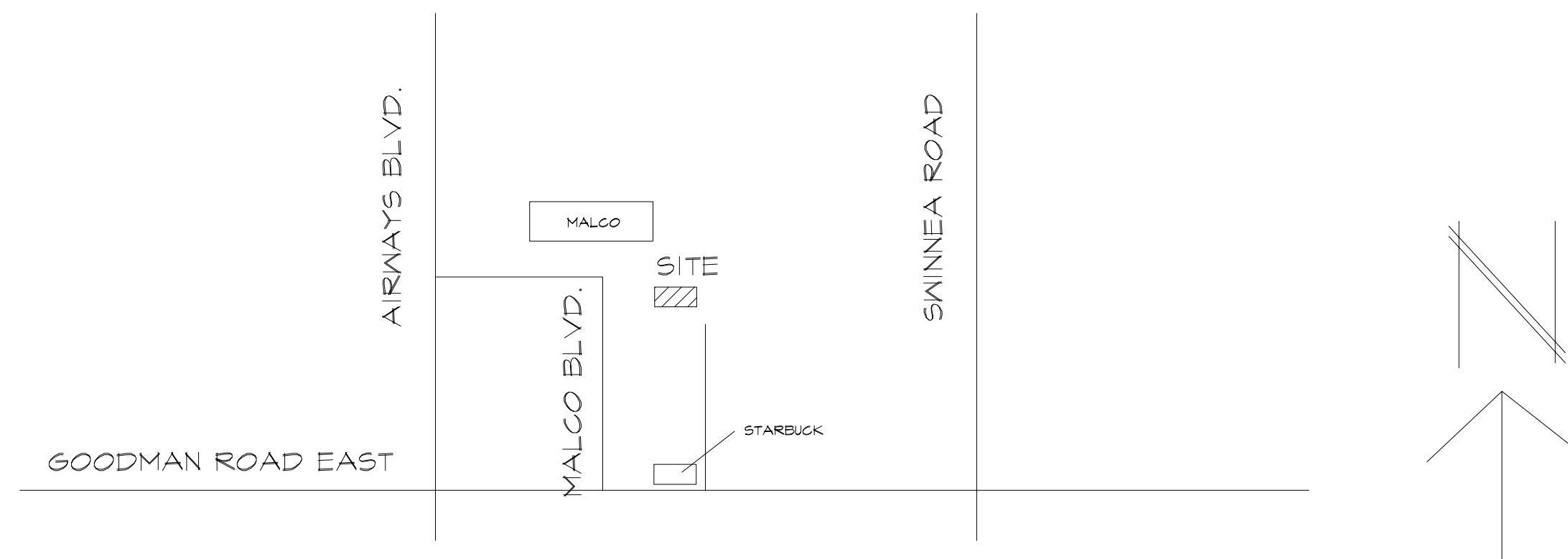
MECHANICAL
M001 ABBREVIATIONS, SYMBOLS,
SPECIFICATIONS, NOTES - MECHANICAL
M101 FIRST FLOOR PLAN - MECHANICAL
M101 SECOND FLOOR PLAN - MECHANICAL
M201 DETAILS - MECHANICAL
M301 SCHEDULES - MECHANICAL

ELECTRICAL
E001 LEGEND & SCHEDULES - ELECTRICAL
E002 FIXTURE SCHEDULE - ELECTRICAL
E003 NOTES - ELECTRICAL
E004 ONE LINE DIAGRAM - ELECTRICAL
E005 DETAILS - ELECTRICAL
E201 FIRST FLOOR PLAN - LIGHTING
E202 SECOND FLOOR PLAN - LIGHTING
E301 FIRST FLOOR PLAN - POWER, COMM, & FIRE ALARM
E302 SECOND FLOOR PLAN - POWER, COMM, & FIRE ALARM

PLUMBING
P001 LEGEND, NOTES & SCHEDULE - PLUMBING
P101 SPECIFICATION & FLOOR PLAN - PLUMBING
P102 RISER DIAGRAM & FLOOR PLAN - PLUMBING
P103 FLOOR PLAN - PLUMBING
P104 FLOOR PLAN - PLUMBING
P201 DETAILS - PLUMBING

PROJECT DESCRIPTION: 4900 SF NEW OFFICE BUILDING

CODE SET
AUGUST 3, 2015



JVD OFFICE

SOUTHAVEN, MS

SEAL



COPY RIGHTED BY
BYRON B. CARSON, JR., AIA-ARCHITECT - 2014
DRAWINGS, SPECIFICATIONS, AND DESIGN
CONCEPTS CONTAINED HEREWITH SHALL NOT BE
USED OR REPRODUCED IN WHOLE OR IN ANY
FORM, WITHOUT THE WRITTEN CONSENT OF -
BYRON B. CARSON, JR., AIA-ARCHITECT. DO NOT
SCALE THESE DRAWINGS. USE GIVEN
DIMENSIONS ONLY. IF NOT SHOWN, VERIFY
CORRECT DIMENSIONS WITH THE ARCHITECT.
CONTRACTOR SHALL VERIFY ALL DIMENSIONS
PRIOR TO INSTALLATION OF THE WORK
DESCRIBED HEREIN.

CONSULTANTS

ISSUES & REVISIONS

NO.	DATE	DESCRIPTION
1	08/07/2014	CODE SUBMITTAL

PROJECT NAME:

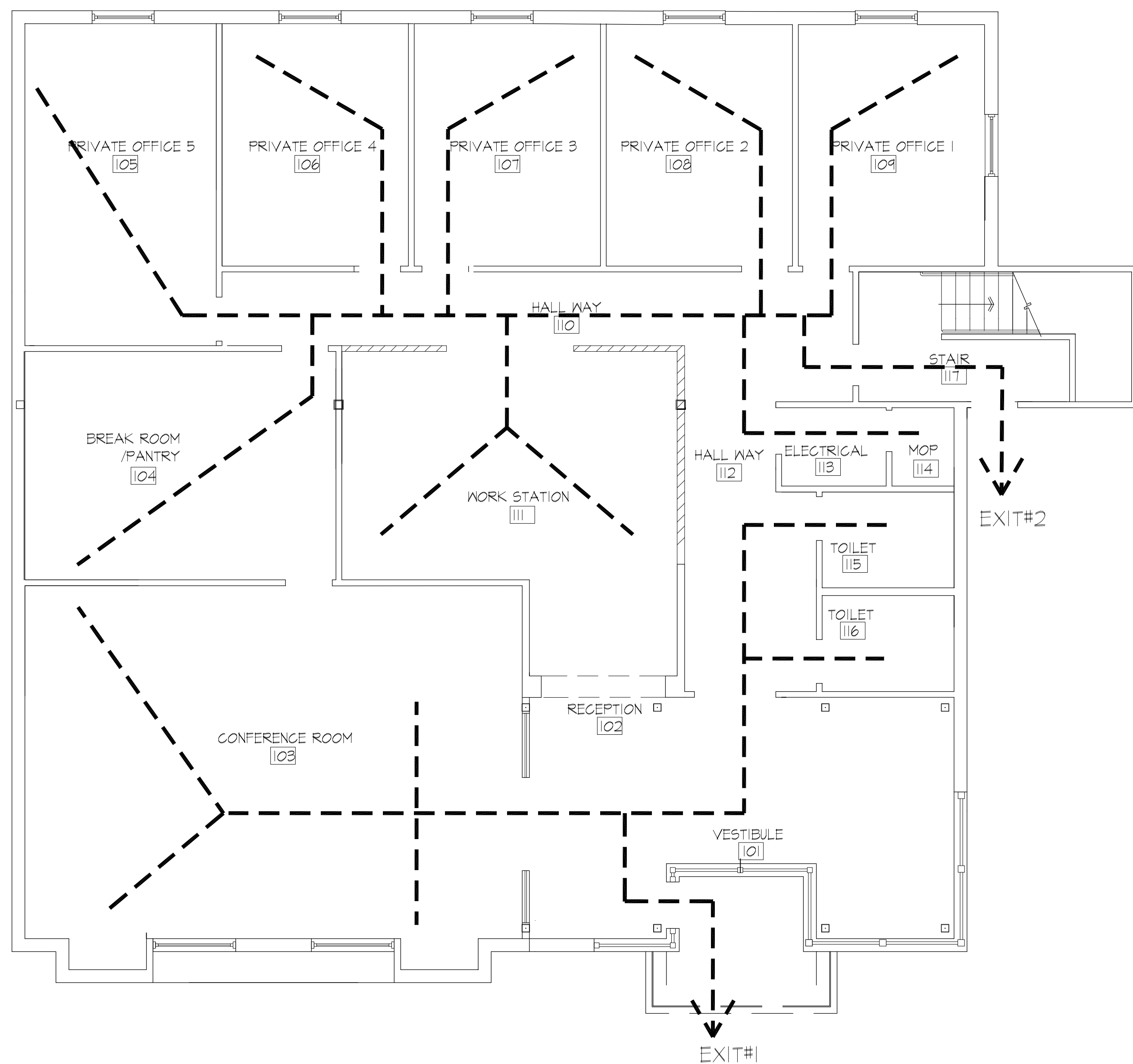
PROJECT NUMBER:

DRAWING NAME:
LIFE SAFETY PLANS

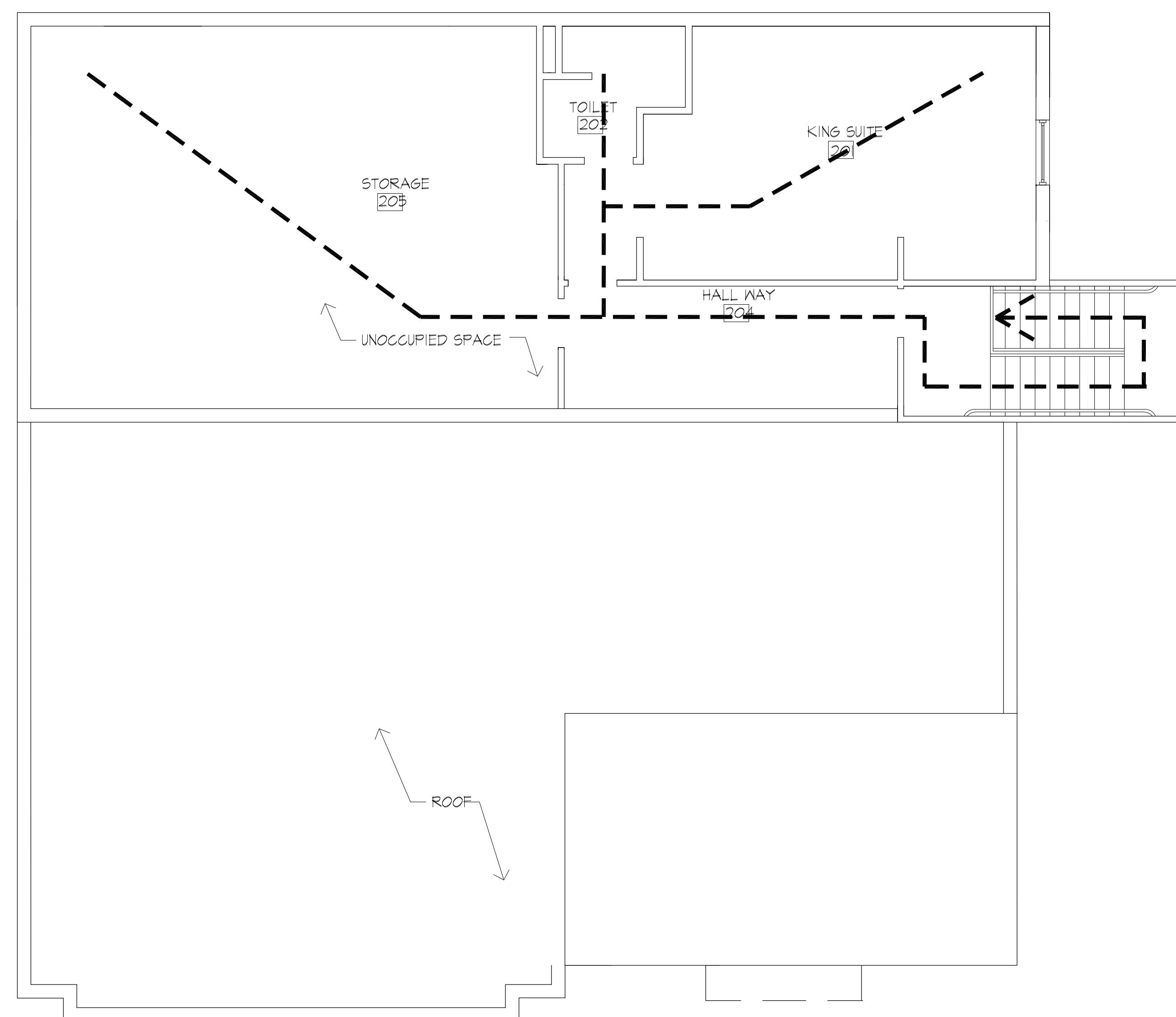
DRAWN BY:
CHECKED BY:
DATE: 08-08-15
SCALE: AS NOTED

DRAWING NUMBER

LS100



1A LIFE SAFETY PLAN - FIRST FLOOR
SCALE 3/16"=1'-0"



4A LIFE SAFETY PLAN - SECOND FLOOR
SCALE 3/16"=1'-0"

JVD OFFICE

SOUTHAVEN, MS

SEAL



COPY RIGHTED BY
BYRON B. CARSON, JR., AIA-ARCHITECT - 2014
DRAWINGS, SPECIFICATIONS, AND DESIGN
CONCEPTS CONTAINED HEREWITH SHALL NOT BE
USED OR REPRODUCED IN WHOLE OR IN ANY
FORM WITHOUT THE WRITTEN CONSENT OF -
BYRON B. CARSON, JR., AIA-ARCHITECT. DO NOT
SCALE THESE DRAWINGS. USE GIVEN
DIMENSIONS ONLY. IF NOT SHOWN, VERIFY
CORRECT DIMENSIONS WITH THE ARCHITECT.
CONTRACTOR SHALL VERIFY ALL DIMENSIONS
PRIOR TO INSTALLATION OF THE WORK
DESCRIBED HEREIN.

CONSULTANTS

ISSUES & REVISIONS

NO.	DATE	DESCRIPTION
1	08/07/2014	CODE SUBMITTAL

PROJECT NAME:

PROJECT NUMBER:

DRAWING NAME:

FIRST FLOOR PLAN

DRAWN BY:

CHECKED BY:

DATE: 08-08-15

SCALE: AS NOTED

DRAWING NUMBER

A101

GENERAL NOTES

- DO NOT SCALE DRAWINGS. USE GIVEN DIMENSIONS ONLY. IF NO DIMENSION GIVEN, VERIFY CORRECT DIMENSION WITH ARCHITECT. GC SHALL VERIFY DIMENSIONS AT JOB SITE PRIOR TO COMMENCEMENT OF CONSTRUCTION.
- WORK SHALL COMPLY WITH APPLICABLE BUILDING CODES, AMENDED ORDINANCES, AND ALL OTHER APPLICABLE CODES AND REGULATIONS.
- ALL MATERIALS FURNISHED UNDER THIS CONTRACT SHALL BE NEW UNLESS OTHERWISE NOTED.
- THE GENERAL CONTRACTOR SHALL BE RESPONSIBLE FOR CHECKING WORK AND WORKING CONDITIONS AND SHALL VERIFY EXISTING CONDITIONS AT THE JOB SITE.
- THE GENERAL CONTRACTOR AND EACH SUBCONTRACTOR SHALL BE RESPONSIBLE FOR CHECKING ALL DIMENSIONS AND CONDITIONS AT THE JOB SITE SHALL REPORT ANY DISCREPANCIES TO THE OWNER.
- THE CONTRACTOR SHALL BE RESPONSIBLE FOR DAILY CLEAN-UP OF ALL TRADES AND REMOVE ALL DEBRIS. AT THE COMPLETION OF THE PROJECT CONTRACTOR SHALL THOROUGHLY CLEAN THE CONSTRUCTION SITE AND ALL AREAS AFFECTED BY CONSTRUCTION.
- CONTRACTOR SHALL BE RESPONSIBLE FOR ADEQUATELY BRACING AND PROTECTING ALL WORK DURING CONSTRUCTION AGAINST DAMAGE, BREAKAGE, COLLAPSE AND MISALIGNMENT.
- ALL DIMENSIONS ARE FROM FINISH SURFACE TO FINISH SURFACE.

WALLS

- ALL EXTERIOR WALLS ARE 2X6 WD. STUD W/1/2" GYP. BD. AND R19 BATT INSULATION.
- UNLESS OTHERWISE NOTED, ALL INTERIOR

WALLS/PARTITIONS ARE 2XX4 WD. STUD W/1/2" GYP. BD. PAINTED EACH SIDE.

- USE MOISTURE RESISTANCE GREEN BOARD FOR TOILET WALLS.
- UNLESS OTHERWISE NOTED, ALL INTERIOR WALLS ARE NON-RATED. ALL GYP. BD. AT INTERIOR WALLS EXTENDS MIN. 6" ABOVE SUSPENDED CEILING.
- BLOCKING AS REQUIRED SHALL BE PROVIDED FOR ALL WALL MOUNTED ACCESSORIES, FIXTURES, CASEWORK, ETC. PER EACH MANUFACTURER'S RECOMMENDATIONS AND SPECIFICATIONS.
- PROVIDE SOUND BATT FULL HEIGHT AT ALL INTERIOR WALLS.

SIGNAGE

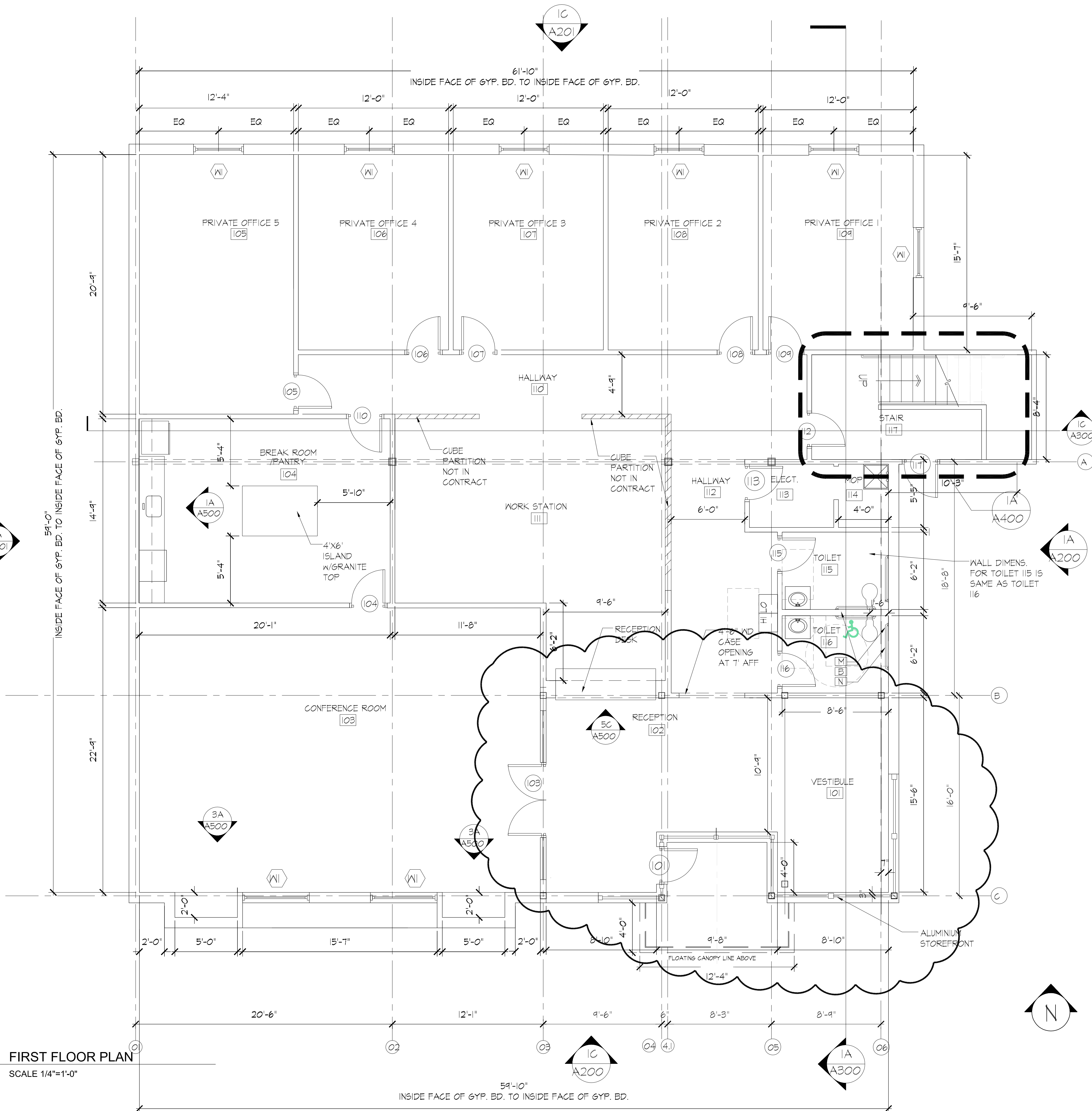
- INTERIOR SIGNAGE WILL BE SUPPLIED AND INSTALLED BY THE OWNER. OWNER SHALL ENSURE THAT ALL SIGNAGE MEET APPLICABLE ADA CODES.

SITE CONDITIONS

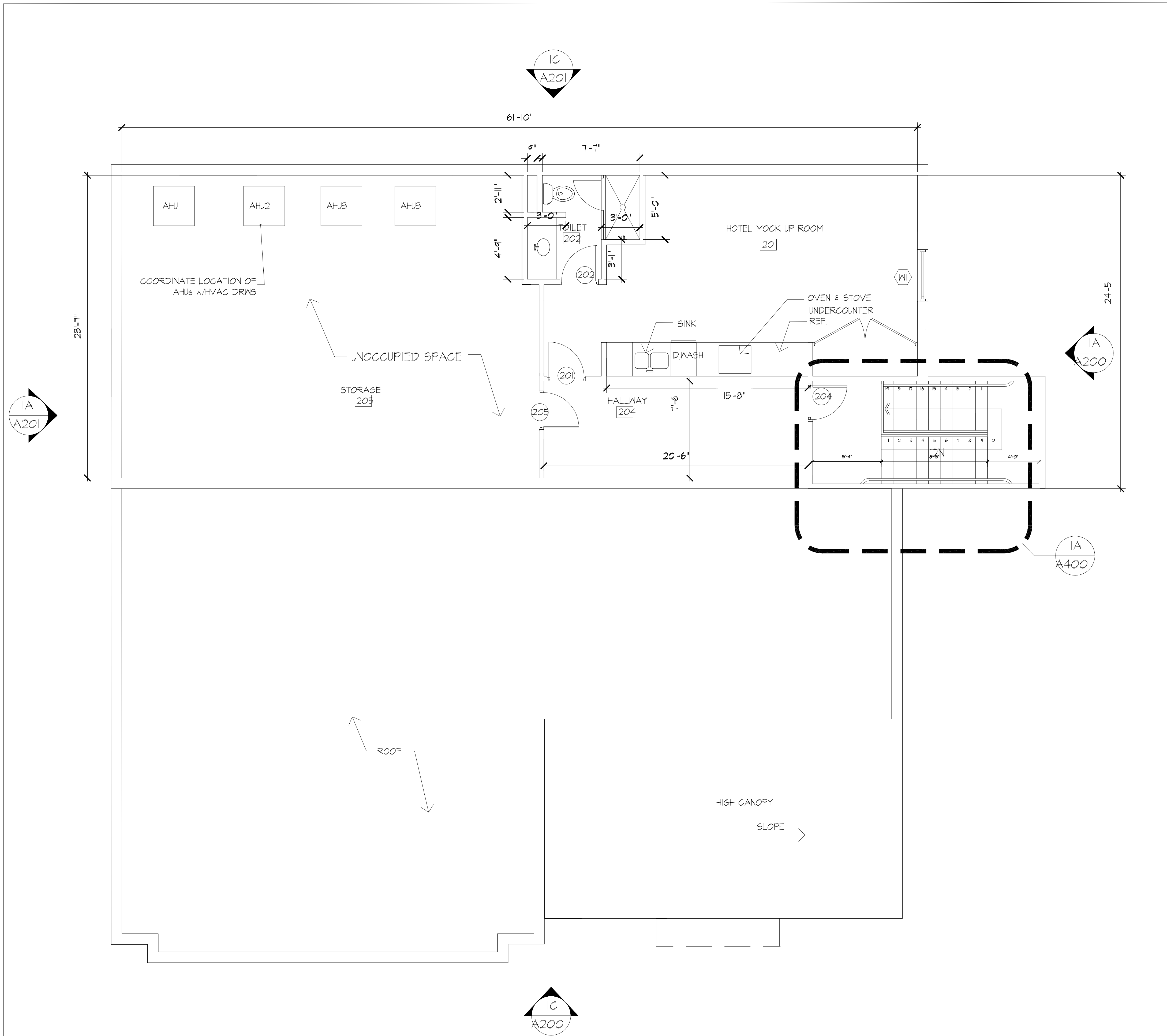
- PRIOR TO BIDDING, IT IS GC RESPONSIBILITY TO VERIFY ALL SITE CONDITIONS. IN CASE OF ANY CONFLICT, CONTACT ARCHITECT IMMEDIATELY.

PORTABLE FIRE EXTINGUISHER

- PROVIDE PORTABLE FIRE EXTINGUISHERS AS REQUIRED BY LOCAL AND STATE AGENCIES.



1A FIRST FLOOR PLAN
SCALE 1/4"=1'-0"



1A SECOND FLOOR PLAN
SCALE 1/4"=1'-0"

BYRON B. CARSON, JR., AIA

ARCHITECT

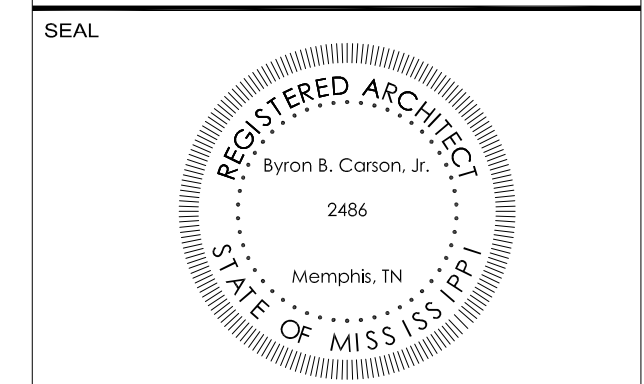
5134 ELMORE, SUITE 6
MEMPHIS, TN 38134
PH: 901.433.9492
FAX: 901.208.8842

bcarson.carsoninc@comcast.net

COMMERCIAL • MULTI-FAMILY • RESIDENTIAL
ARCHITECTURAL DESIGN & INTERIOR DESIGN

A MEMBER FIRM OF THE
AMERICAN INSTITUTE OF ARCHITECTS SINCE 1985

JVD OFFICE
SOUTHAVEN, MS



COPY RIGHTED BY
BYRON B. CARSON, JR., AIA-ARCHITECT - 2014
DRAWINGS, SPECIFICATIONS, AND DESIGN
CONCEPTS CONTAINED HEREWITH SHALL NOT BE
USED OR REPRODUCED IN WHOLE OR IN ANY
FORM WITHOUT THE WRITTEN CONSENT OF
BYRON B. CARSON, JR., AIA-ARCHITECT. DO NOT
SCALE THESE DRAWINGS. USE GIVEN
DIMENSIONS ONLY. IF NOT SHOWN, VERIFY
CORRECT DIMENSIONS WITH THE ARCHITECT.
CONTRACTOR SHALL VERIFY ALL DIMENSIONS
PRIOR TO INSTALLATION OF THE WORK
DESCRIBED HEREIN.

CONSULTANTS

ISSUES & REVISIONS

NO.	DATE	DESCRIPTION
1	08/07/2014	CODE SUBMITTAL

PROJECT NAME:

PROJECT NUMBER:

DRAWING NAME:

SECOND FLOOR PLAN

DRAWN BY:

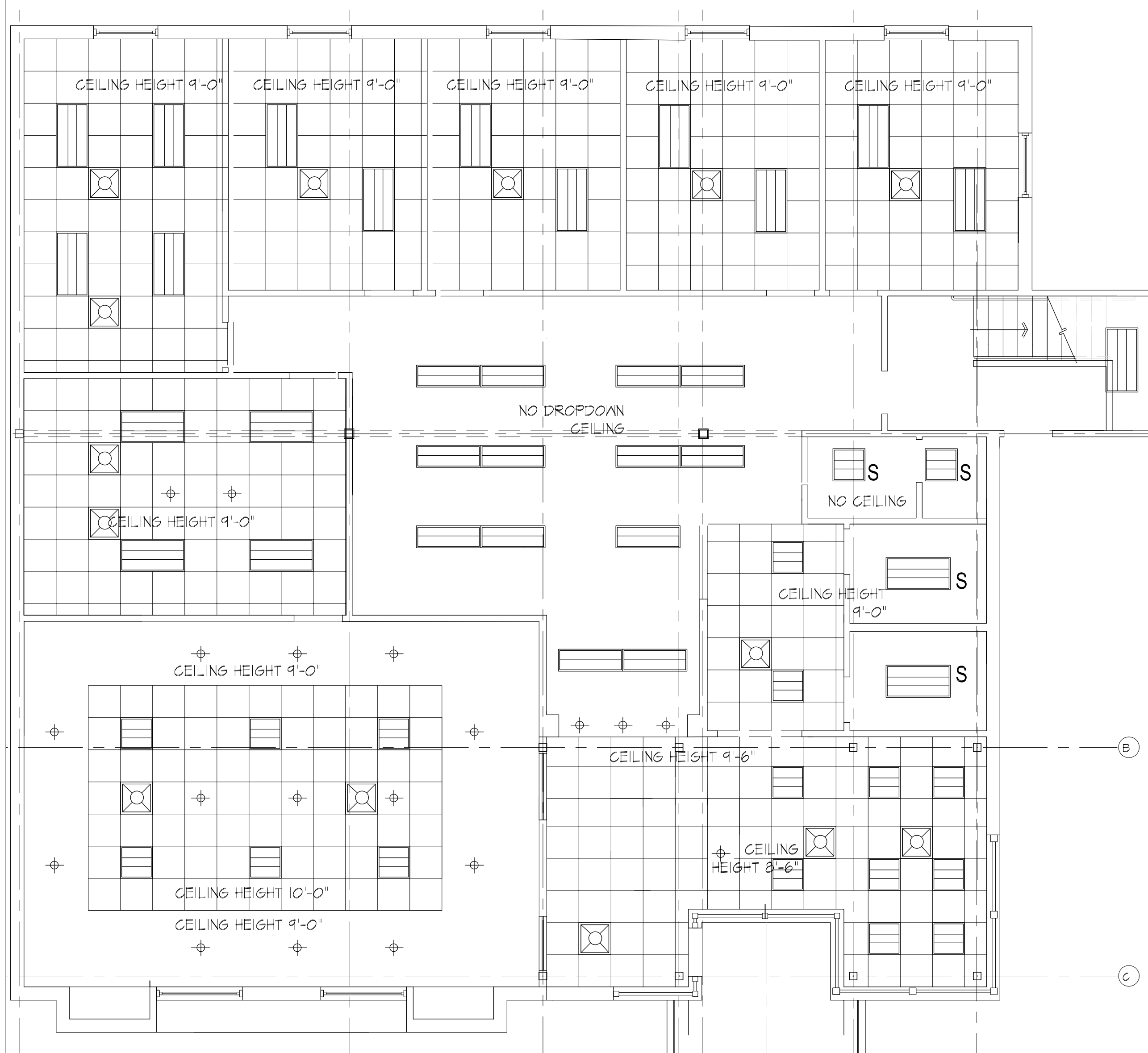
CHECKED BY:

DATE: 08-08-15

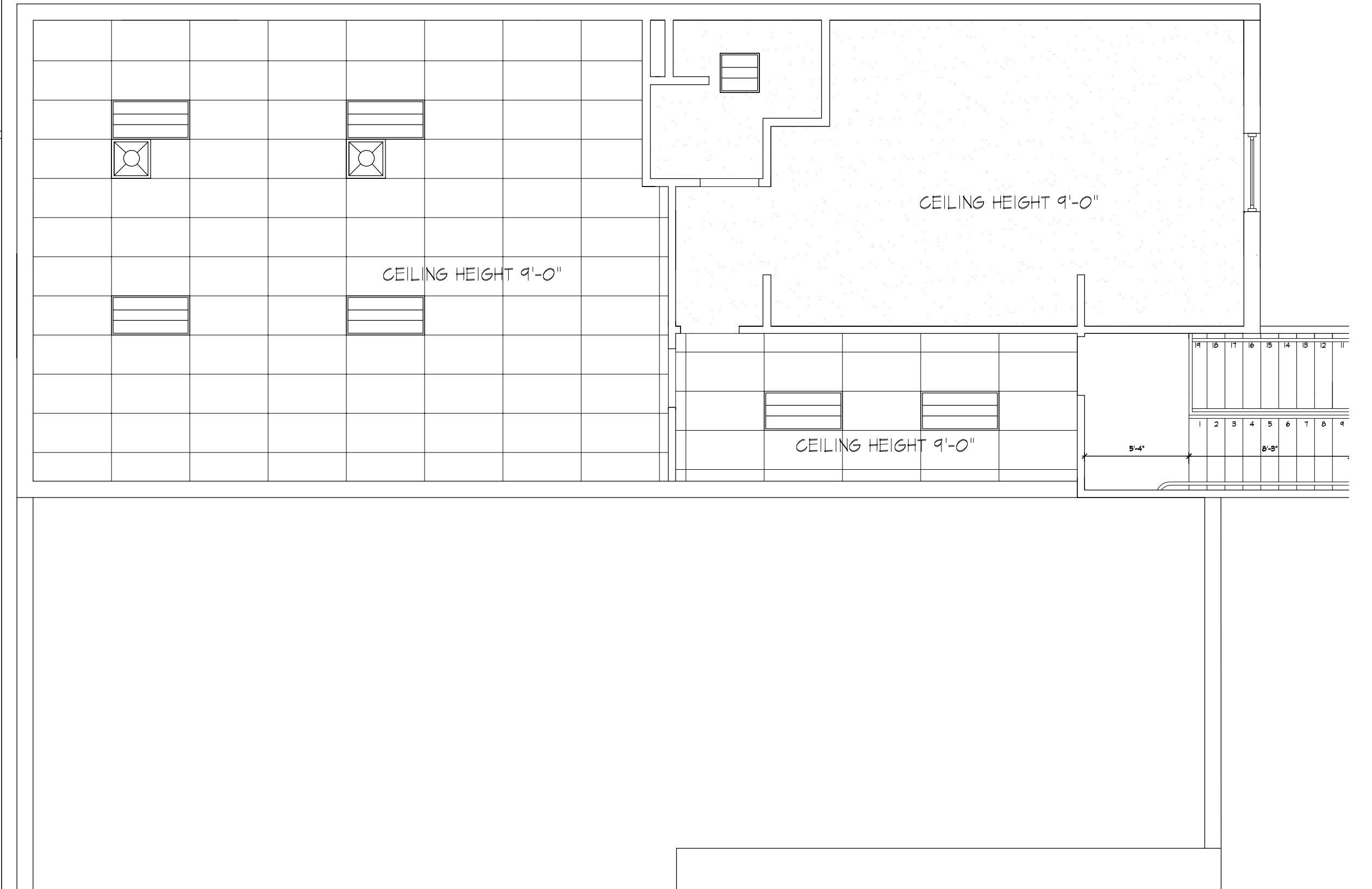
SCALE: AS NOTED

DRAWING NUMBER

A102



1C RCP - FIRST FLOOR
SCALE 3/16"=1'-0"



4C RCP- SECOND FLOOR
SCALE 3/16"=1'-0"

BYRON B. CARSON, JR., AIA
ARCHITECT
5134 ELMORE, SUITE 6
MEMPHIS, TN 38134
PH: 901.433.9492
FAX: 901.208.8842
bcaron.carsoninc@comcast.net

COMMERCIAL • MULTI-FAMILY • RESIDENTIAL
ARCHITECTURAL DESIGN & INTERIOR DESIGN

A MEMBER FIRM OF THE
AMERICAN INSTITUTE OF ARCHITECTS SINCE 1985

JVD OFFICE

SOUTHAVEN, MS

COPY RIGHTED BY
BYRON B. CARSON, JR., AIA-ARCHITECT - 2014
DRAWINGS, SPECIFICATIONS, AND DESIGN
CONCEPTS CONTAINED HEREWITH SHALL NOT BE
USED OR REPRODUCED IN WHOLE OR IN ANY
FORM WITHOUT THE WRITTEN CONSENT OF
BYRON B. CARSON, JR., AIA-ARCHITECT. DO NOT
SCALE THESE DRAWINGS. USE GIVEN
DIMENSIONS ONLY. IF NOT SHOWN, VERIFY
CORRECT DIMENSIONS WITH THE ARCHITECT.
CONTRACTOR SHALL VERIFY ALL DIMENSIONS
PRIOR TO INSTALLATION OF THE WORK
DESCRIBED HEREIN.

LEGEND	
	GWB CEILING
	SUSPENDED ACOUSTICAL CEILING
①	ARMSTRONG OPTIMA
②	ARMSTRONG WOODWORK TEGULAR (6487)
③	ARMSTRONG ULTIMA
④	ARMSTRONG SERPENTINA VAULT 24" X 72"
⑤	ARMSTRONG WOODWORKS LINEAR 5" WIDE PLANK
	RETURN REGISTER
	SUPPLY REGISTER
	NARROW PENDANT LIGHT
	2 X 4 FLUORESCENT LIGHT
	2 X 2 FLUORESCENT LIGHT
	SURFACE MOUNTED 2X2 FLUORESCENT LIGHT

- REFER TO ELECTRICAL & MECH. DWGS FOR EXACT LIGHT FIXTURE TYPES & RETURN AND SUPPLY DIFFUSERS AND EXHAUST

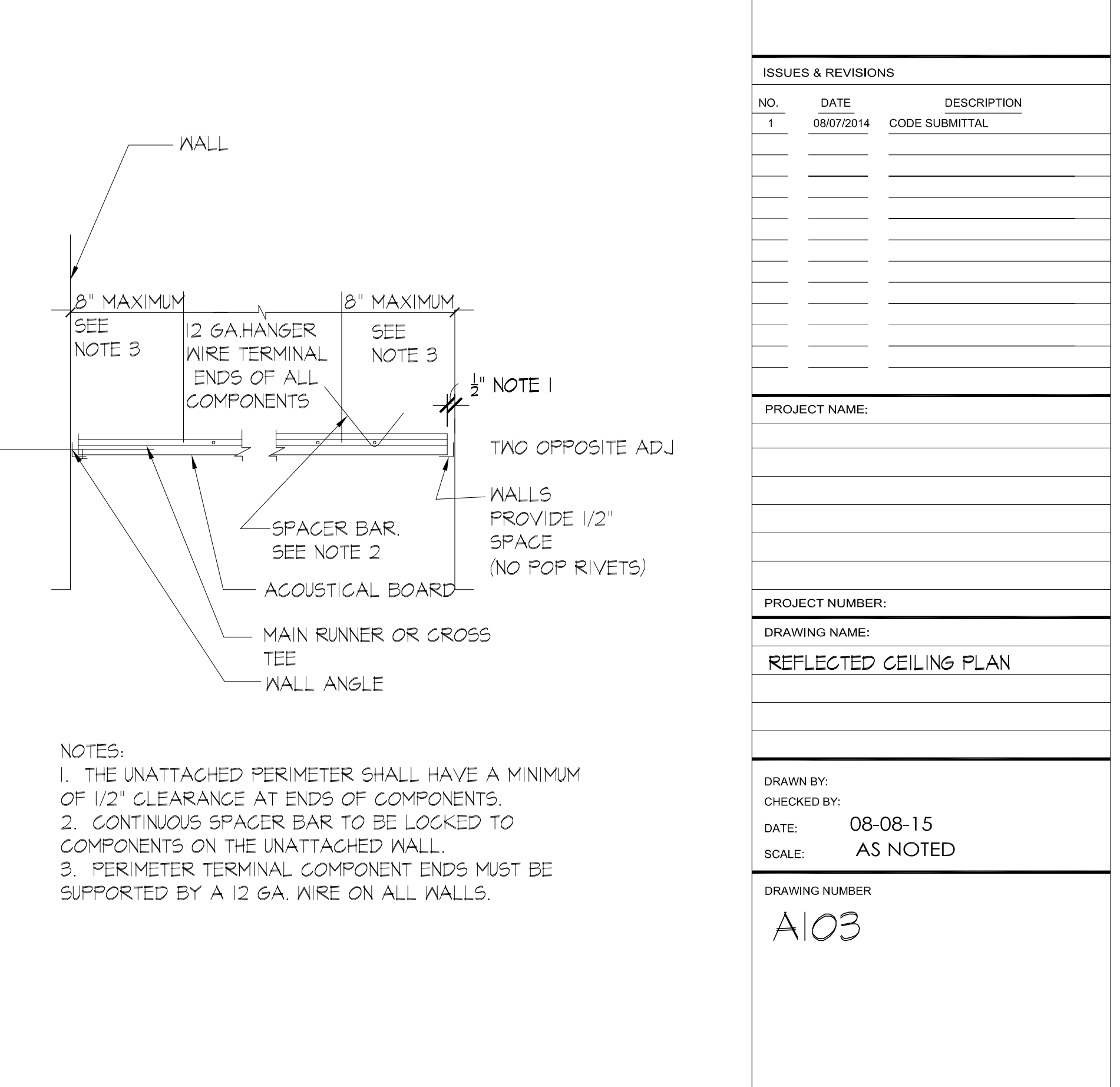
- RCP ON 1C/A102 MAY NOT SHOW ALL CEILING ITEMS. REFER TO ELECTRICAL AND MECHANICAL DRAWINGS FOR ADDITIONAL ITEMS

CONSULTANTS



4A CEILING DETAILS
SCALE 1/2"=1'-0"

NOTES:
 1. BRACING WIRES TO BE ATTACHED AT MAXIMUM OF 45 DEGREES TO THE PLANE OF THE CEILING AND PARALLEL TO THE COMPONENTS INTERSECTING AT THE BRACE LOCATION. BRACE WIRES TO BE TAUT AND TIED BOTH ENDS WITH A MINIMUM THREE TIGHT WRAPS.
 2. GRID BRACE ASSEMBLY 12'-0" O.C. MAX.
 3. CROSS RUNNERS SHALL BE ATTACHED WITH MECHANICAL INTERLOCKING CONNECTORS.



NOTES:
 1. THE UNATTACHED PERIMETER SHALL HAVE A MINIMUM OF 1/2" CLEARANCE AT ENDS OF COMPONENTS.
 2. CONTINUOUS SPACER BAR TO BE LOCKED TO COMPONENTS ON THE UNATTACHED WALL.
 3. PERIMETER TERMINAL COMPONENT ENDS MUST BE SUPPORTED BY A 12 GA. WIRE ON ALL WALLS.

ISSUES & REVISIONS		
NO.	DATE	DESCRIPTION
1	08/07/2014	CODE SUBMITTAL

PROJECT NAME:

PROJECT NUMBER:

DRAWING NAME:
REFLECTED CEILING PLAN

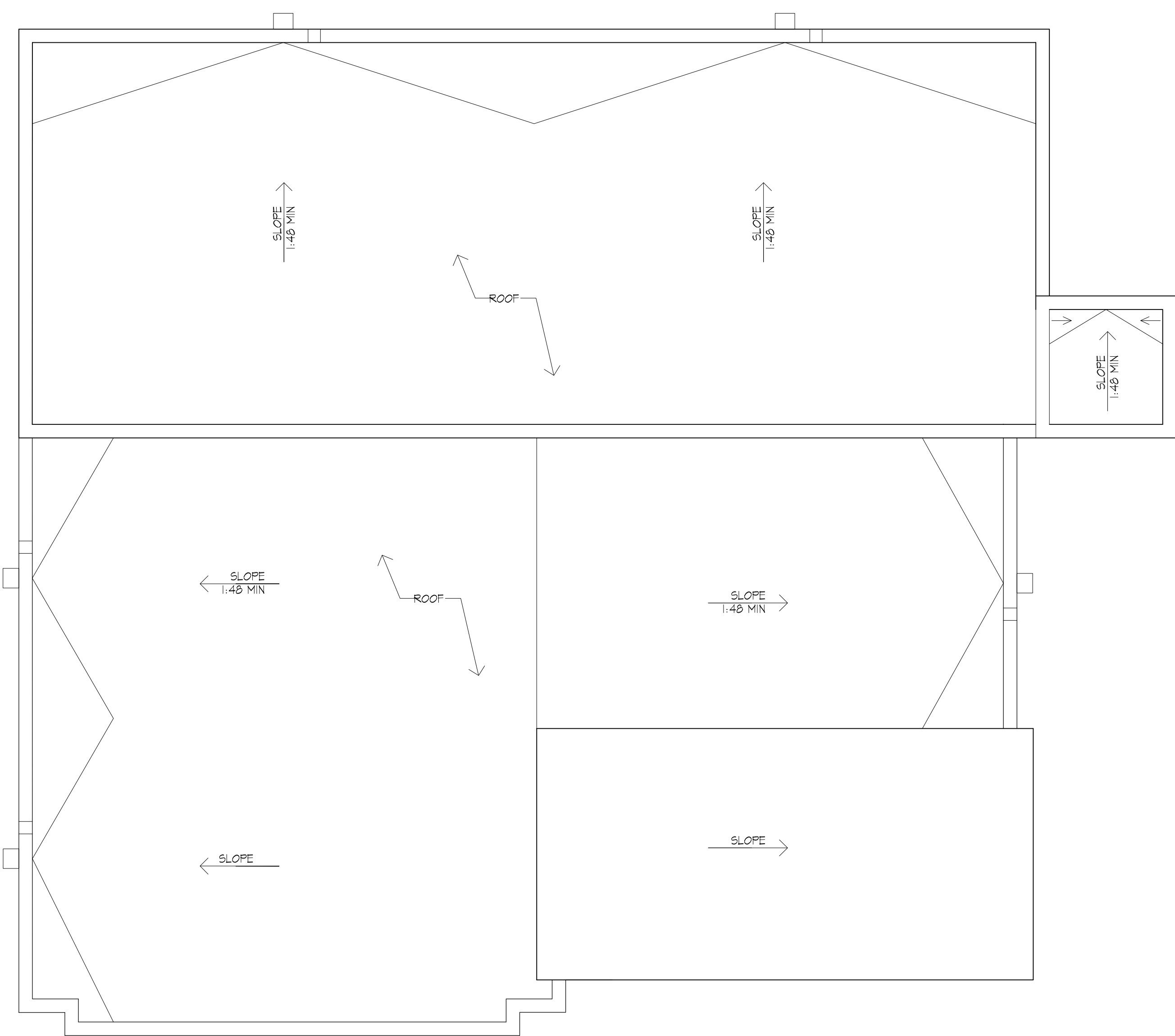
DRAWN BY:

CHECKED BY:

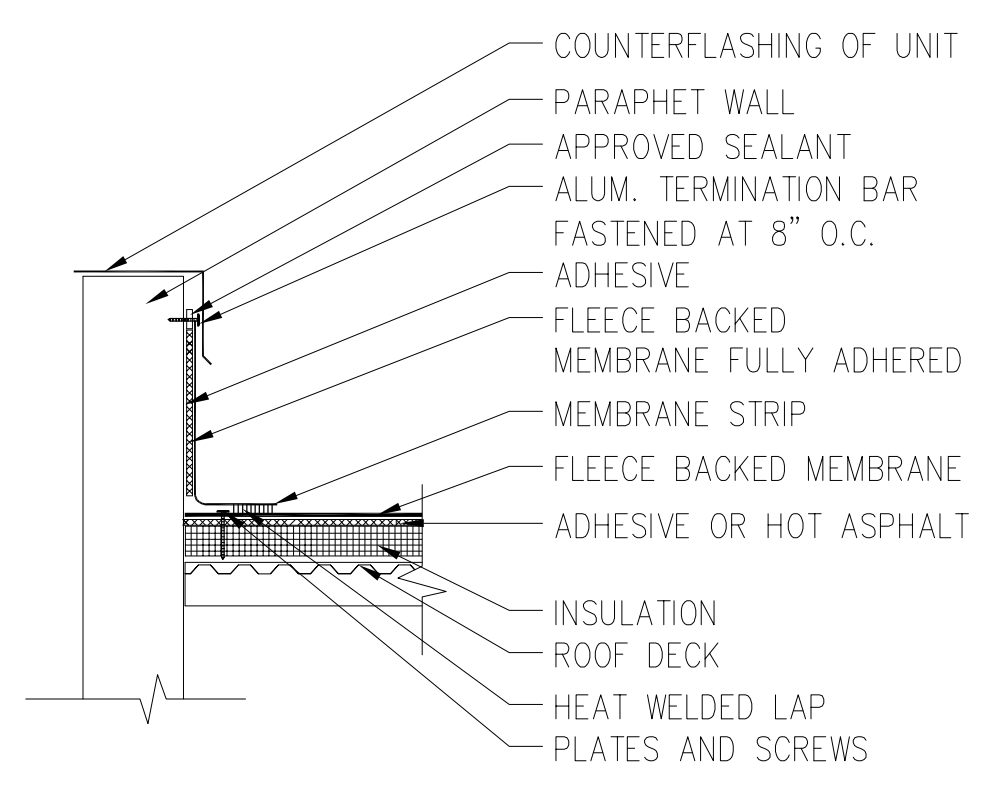
DATE: 08-08-15

SCALE: AS NOTED

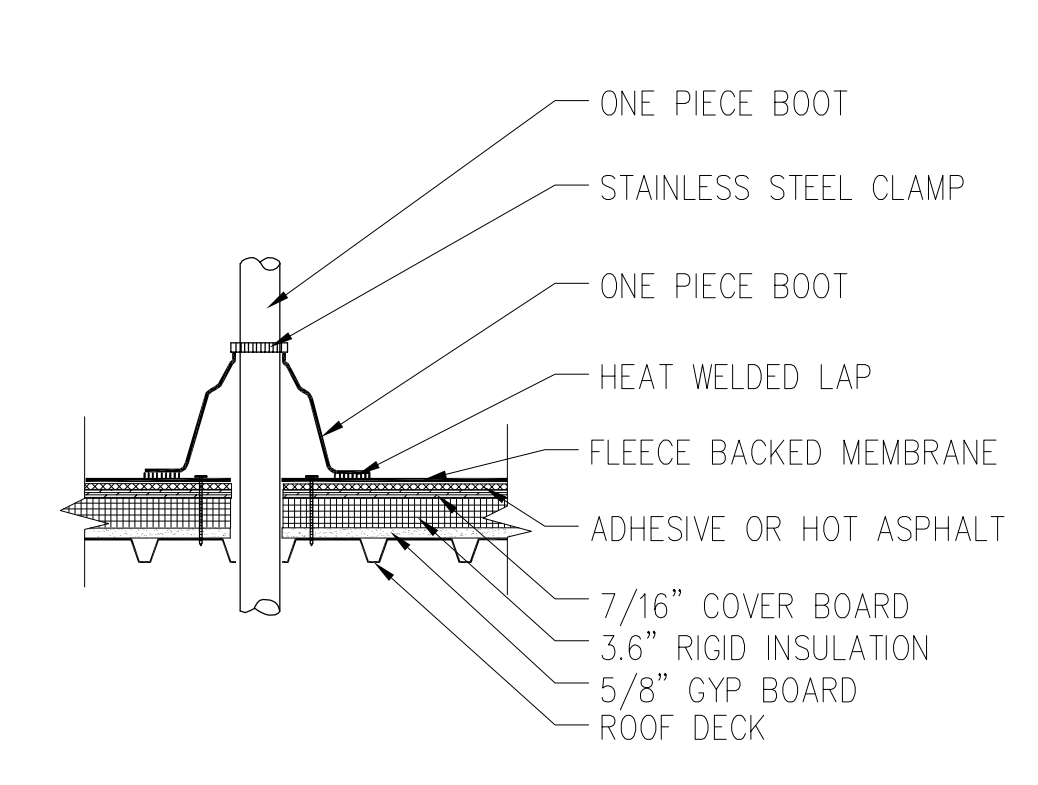
DRAWING NUMBER:
A103



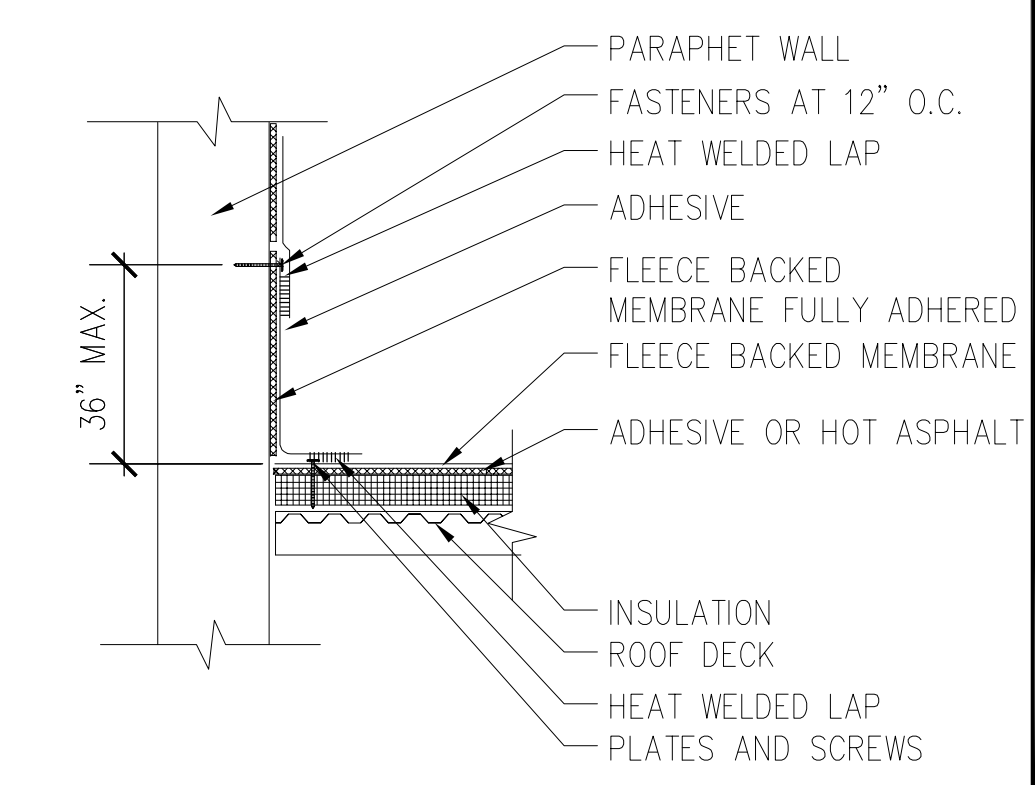
1C ROOF PLAN
SCALE 3/16"=1'-0"



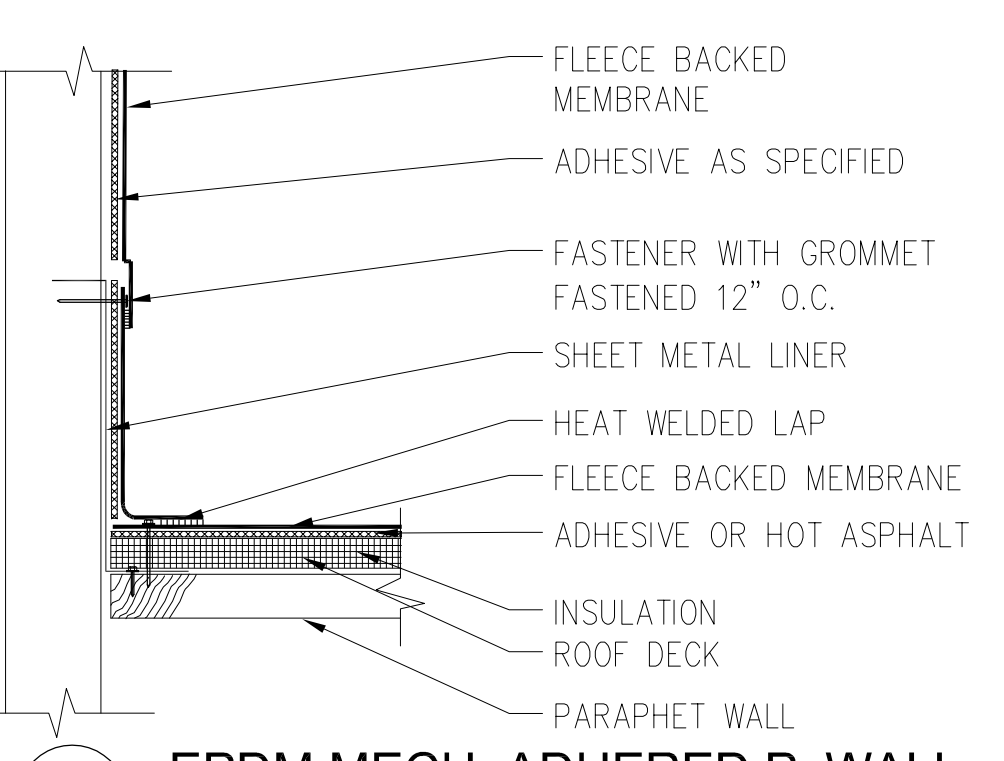
3D EPDM CURB FLASHING
SCALE 1"=1'-0"



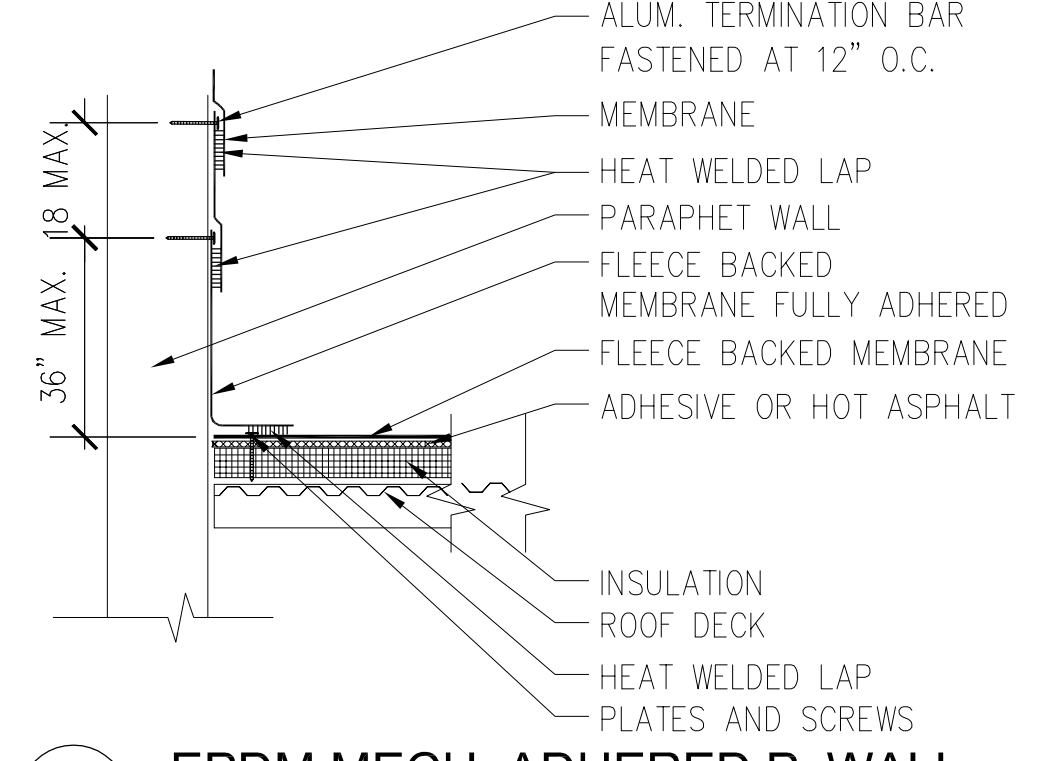
4D EPDM VENT PIPE ASHING
SCALE 1"=1'-0"



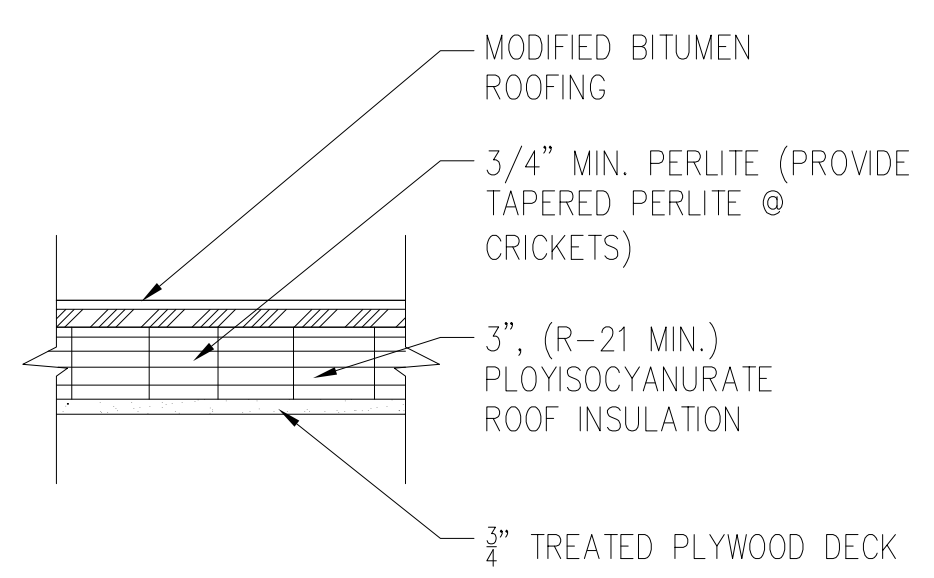
5D EPDM WALL FLASHING PARAPET
SCALE 1"=1'-0"



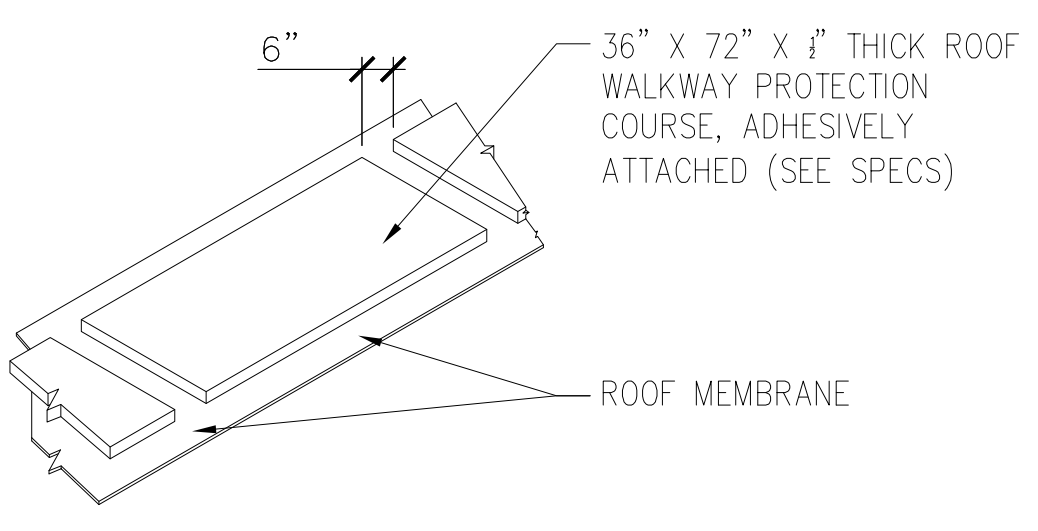
3C EPDM MECH. ADHERED P. WALL
SCALE 1"=1'-0"



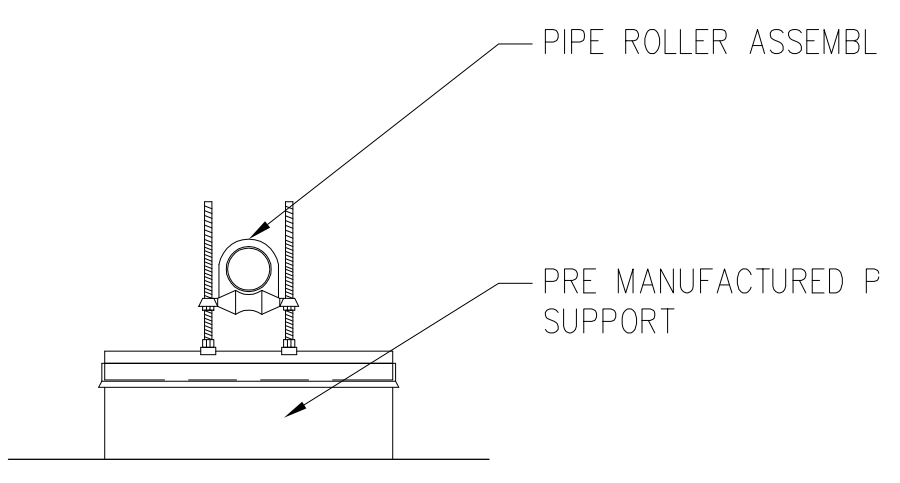
4C EPDM MECH. ADHERED P. WALL
SCALE 1"=1'-0"



1B ROOF DECK DETAIL
SCALE 1 1/2"=1'-0"

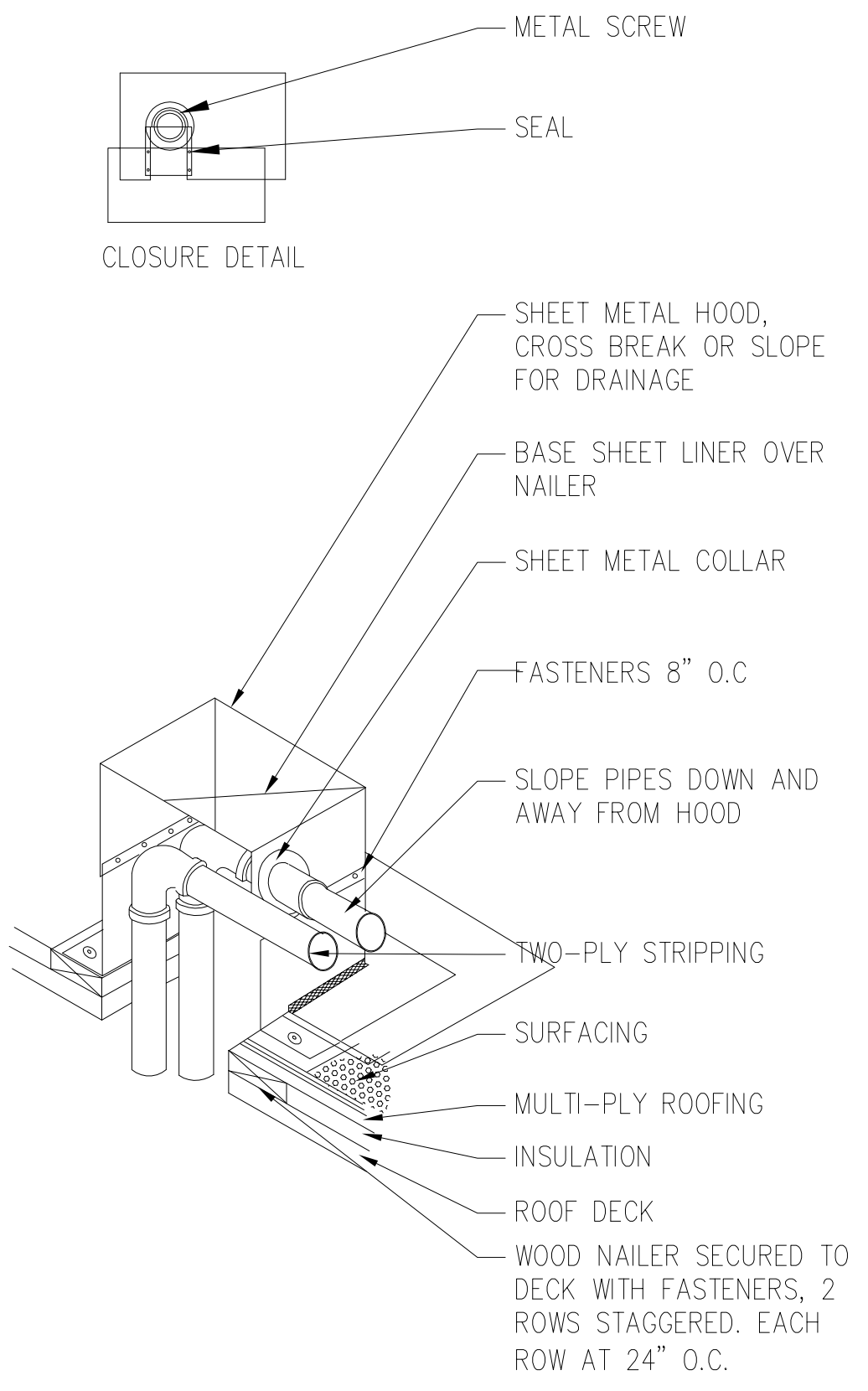


2B WALKING PAD
SCALE 1 1/2"=1'-0"

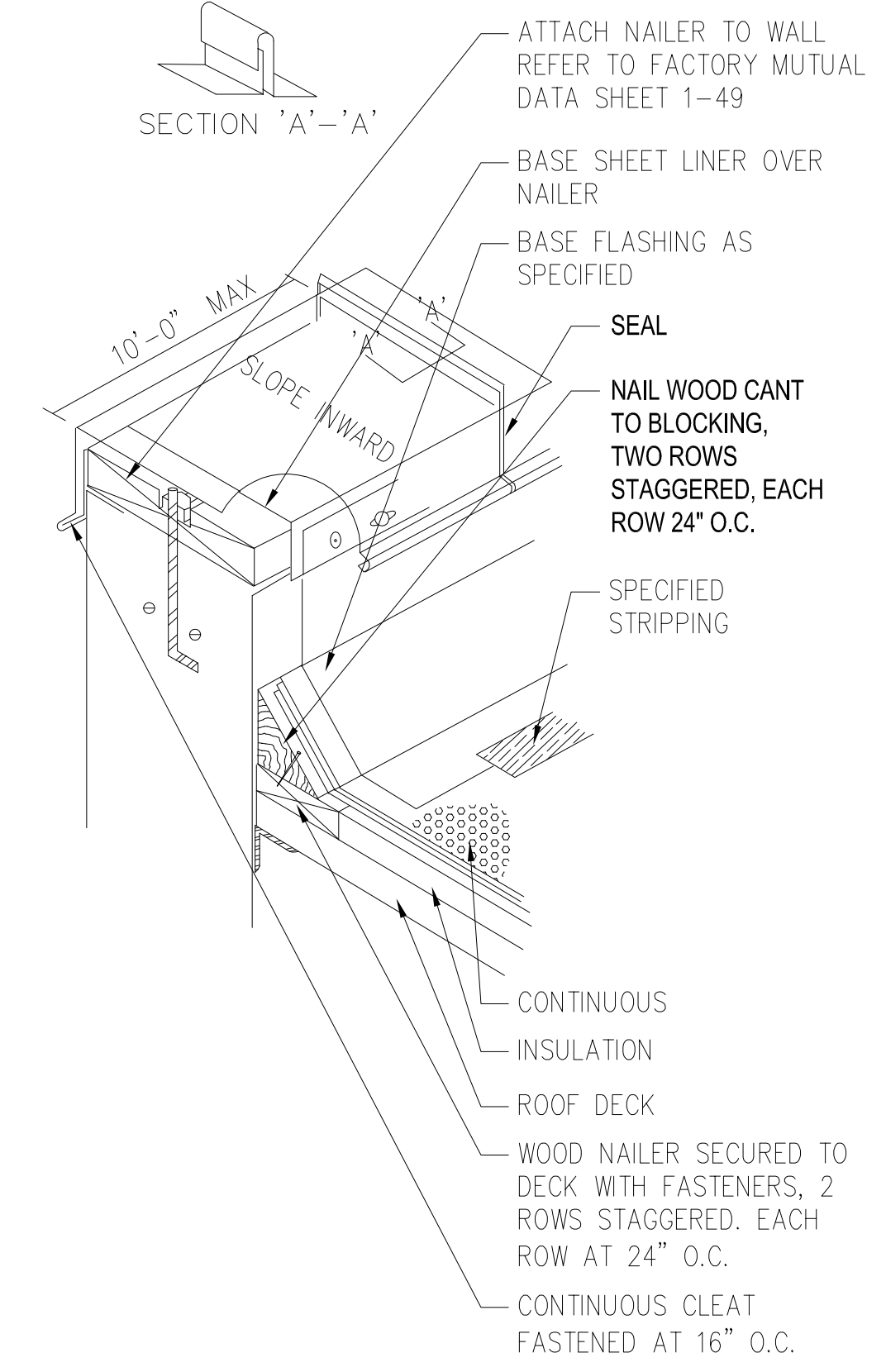


NOTE: PROVIDE PIPE SUPPORT TYPE 2 @ 8'-0" MAX. FOR 4" DIA. & LARGER GAS PIPING

3B PIPE SUPPORT
SCALE 1 1/2"=1'-0"



4A DETAIL
SCALE 1 1/2"=1'-0"



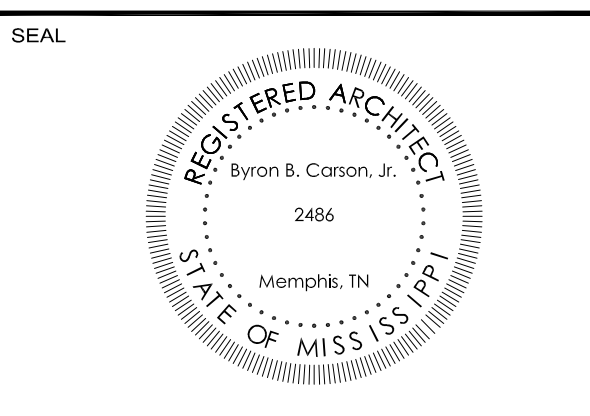
5A PARAPET DETAILS
SCALE 1 1/2"=1'-0"

BYRON B. CARSON, JR., AIA
ARCHITECT
5134 ELMORE, SUITE 6
MEMPHIS, TN 38134
PH: 901.433.9492
FAX: 901.208.8842
bcaronson@comcast.net

COMMERCIAL • MULTI-FAMILY • RESIDENTIAL
ARCHITECTURAL DESIGN & INTERIOR DESIGN

A MEMBER FIRM OF THE
AMERICAN INSTITUTE OF ARCHITECTS SINCE 1985

JVD OFFICE
SOUTHAVEN, MS



COPY RIGHTED BY BYRON B. CARSON, JR., AIA-ARCHITECT - 2014 DRAWINGS, SPECIFICATIONS, AND DESIGN CONCEPTS CONTAINED HEREWITH SHALL NOT BE USED OR REPRODUCED IN WHOLE OR IN ANY FORM WITHOUT THE WRITTEN CONSENT OF BYRON B. CARSON, JR., AIA-ARCHITECT. DO NOT SCALE THESE DRAWINGS. USE GIVEN DIMENSIONS ONLY. IF NOT SHOWN, VERIFY CORRECT DIMENSIONS WITH THE ARCHITECT. CONTRACTOR SHALL VERIFY ALL DIMENSIONS PRIOR TO INSTALLATION OF THE WORK DESCRIBED HEREIN.

CONSULTANTS

ISSUES & REVISIONS		
NO.	DATE	DESCRIPTION
1	08/07/2014	CODE SUBMITTAL

PROJECT NAME:

PROJECT NUMBER:

DRAWING NAME:
ROOF PLAN

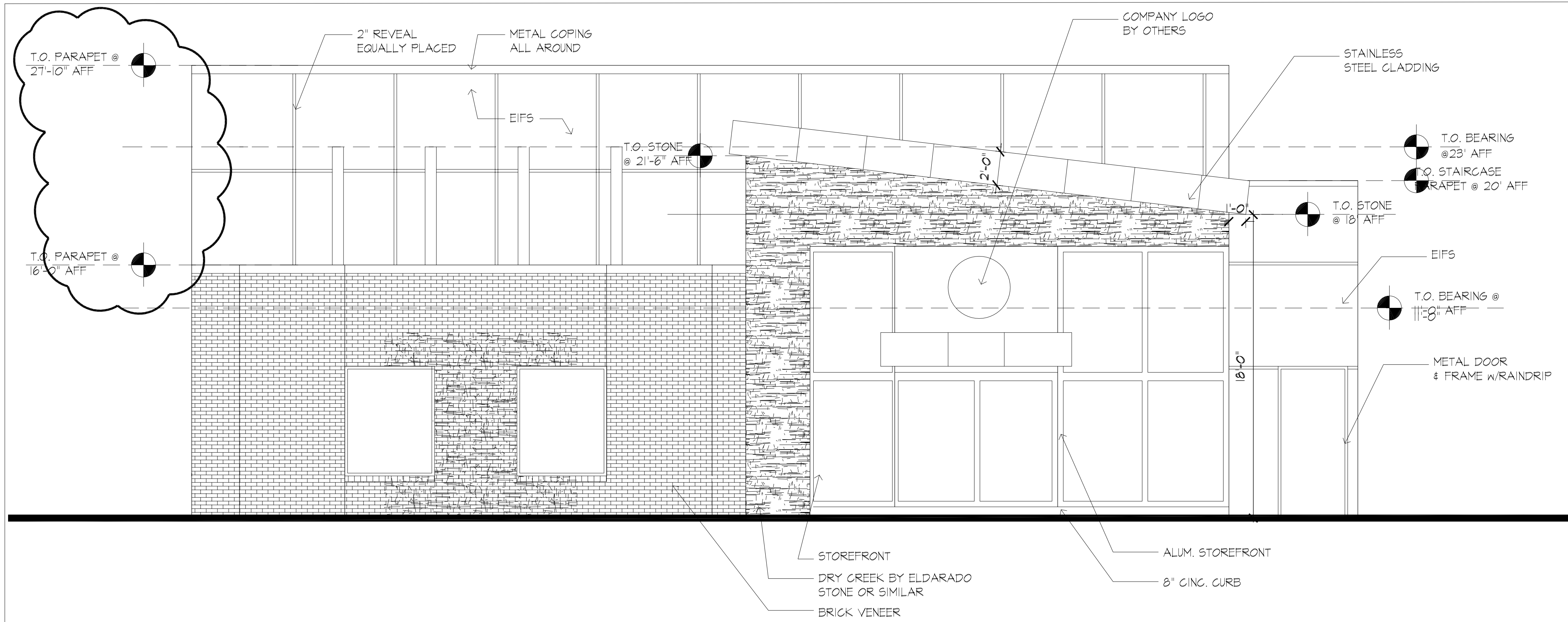
DRAWN BY:

CHECKED BY:

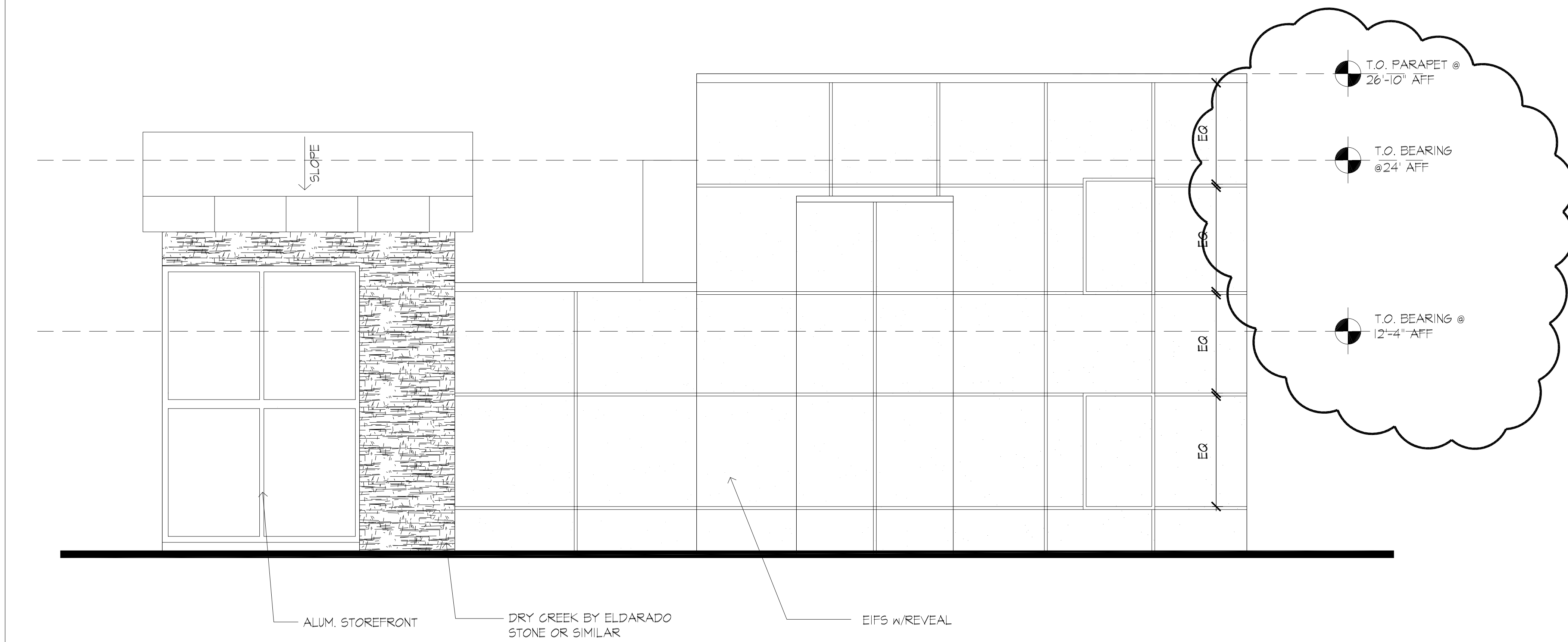
DATE: 08-08-15

SCALE: AS NOTED

DRAWING NUMBER
A104



1C EAST ELEVATION
SCALE 3/16"=1'-0"



1A NORTH ELEVATION
SCALE 3/16"=1'-0"

BYRON B. CARSON, JR., AIA

ARCHITECT

5134 ELMORE, SUITE
MEMPHIS, TN 38134
PH: 901.433.9492
FAX: 901.208.8842

bcarson.carsoninc@comcast.net

COMMERCIAL + MULTI-FAMILY + RESIDENTIAL
ARCHITECTURAL DESIGN & INTERIOR DESIGN

A MEMBER FIRM OF THE
AMERICAN INSTITUTE OF ARCHITECTS SINCE 1911

JVD OFFICE

SOUTHAVEN, MS



COPY RIGHTED BY
BYRON B. CARSON, JR., AIA-ARCHITECT - 2014
DRAWINGS, SPECIFICATIONS, AND DESIGN
CONCEPTS CONTAINED HEREWITH SHALL NOT BE
USED OR REPRODUCED IN WHOLE OR IN ANY
PART WITHOUT THE WRITTEN CONSENT OF
BYRON B. CARSON, JR., AIA-ARCHITECT. DO NOT
SCALE THESE DRAWINGS. USE GIVEN
DIMENSIONS ONLY. IF NOT SHOWN, VERIFY
CORRECT DIMENSIONS WITH THE ARCHITECT.
CONTRACTOR SHALL VERIFY ALL DIMENSIONS
PRIOR TO INSTALLATION OF THE WORK
DESCRIBED HEREIN.

CONSULTANTS

ISSUES & REVISIONS

NO.	DATE	DESCRIPTION
1	09/07/2014	CODE SUBMITTAL

PROJECT NAME:

PROJECT NUMBER:

DRAWING NAME:

EXTERIOR ELEVATIONS

DRAWN BY:

CHECKED BY:

DATE: 08-08-15

SCALE: AS NOTED

DRAWING NUMBER

A200

BYRON B. CARSON, JR., A

ARCHITEC

5134 ELMORE, SUITE
MEMPHIS, TN 38134
PH: 901.433.9492
FAX: 901.208.8842

bcarson.carsoninc@comcast.i

COMMERCIAL + MULTI-FAMILY+ RESIDENT
ARCHITECTURAL DESIGN & INTERIOR DESI

A MEMBER FIRM OF THE
AMERICAN INSTITUTE OF ARCHITECTS SINCE

JVD OFFICE

SOUTHAVEN, MS

SEAL



COPY RIGHTED BY
BYRON B. CARSON, JR., AIA-ARCHITECT - 201
DRAWINGS, SPECIFICATIONS, AND DESIGN
CONCEPTS CONTAINED HEREWITH SHALL NOT
USED OR REPRODUCED IN WHOLE OR IN AN
FORM WITHOUT THE WRITTEN CONSENT OF
BYRON B. CARSON, JR., AIA-ARCHITECT. DO NOT
SCALE THESE DRAWINGS. USE GIVEN
DIMENSIONS ONLY. IF NOT SHOWN, VERIFY
CORRECT DIMENSIONS WITH THE ARCHITECT
CONTRACTOR SHALL VERIFY ALL DIMENSION
PRIOR TO INSTALLATION OF THE WORK
DESCRIBED HEREIN.

CONSULTANTS

ISSUES & REVISIONS

NO.	DATE	DESCRIPTION
1	08/07/2014	CODE SUBMITTAL

PROJECT NAME:

PROJECT NUMBER:

DRAWING NAME:

EXTERIOR ELEVATIONS

DRAWN BY:

CHECKED BY:

DATE: 08-08-15

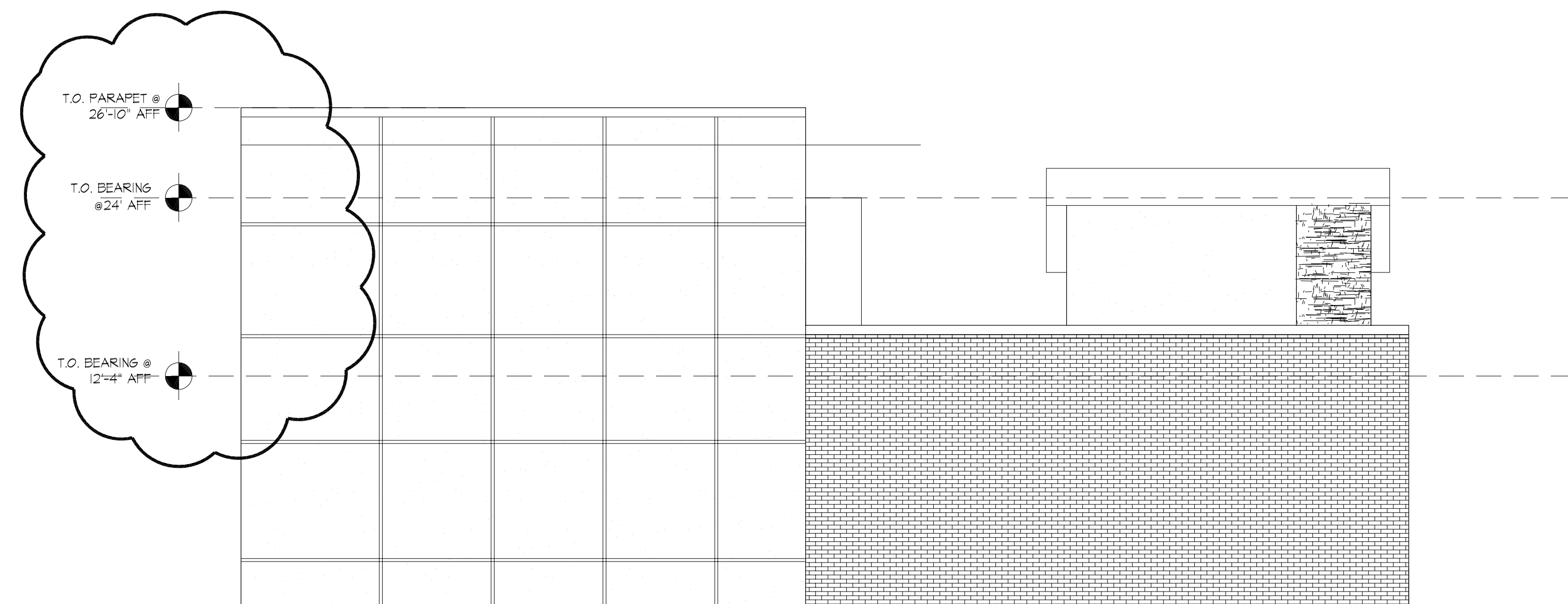
SCALE: AS NOTED

DRAWING NUMBER

A201



1C WEST ELEVATION
SCALE 3/16"=1'-0"



1A SOUTH ELEVATION
SCALE 3/16"=1'-0"

JVD OFFICE

SOUTHAVEN, MS

SEAL



COPY RIGHTED BY
BYRON B. CARSON, JR., AIA-ARCHITECT - 2014
DRAWINGS, SPECIFICATIONS, AND DESIGN
CONCEPTS CONTAINED HEREWITH SHALL NOT BE
USED OR REPRODUCED IN WHOLE OR IN ANY
FORM WITHOUT THE WRITTEN CONSENT OF -
BYRON B. CARSON, JR., AIA-ARCHITECT. DO NOT
SCALE THESE DRAWINGS. USE GIVEN
DIMENSIONS ONLY. IF NOT SHOWN, VERIFY
CORRECT DIMENSIONS WITH THE ARCHITECT.
CONTRACTOR SHALL VERIFY ALL DIMENSIONS
PRIOR TO INSTALLATION OF THE WORK
DESCRIBED HEREIN.

CONSULTANTS

ISSUES & REVISIONS

NO.	DATE	DESCRIPTION
1	08/07/2014	CODE SUBMITTAL

PROJECT NAME:

PROJECT NUMBER:

DRAWING NAME:

SECTIONS

DRAWN BY:

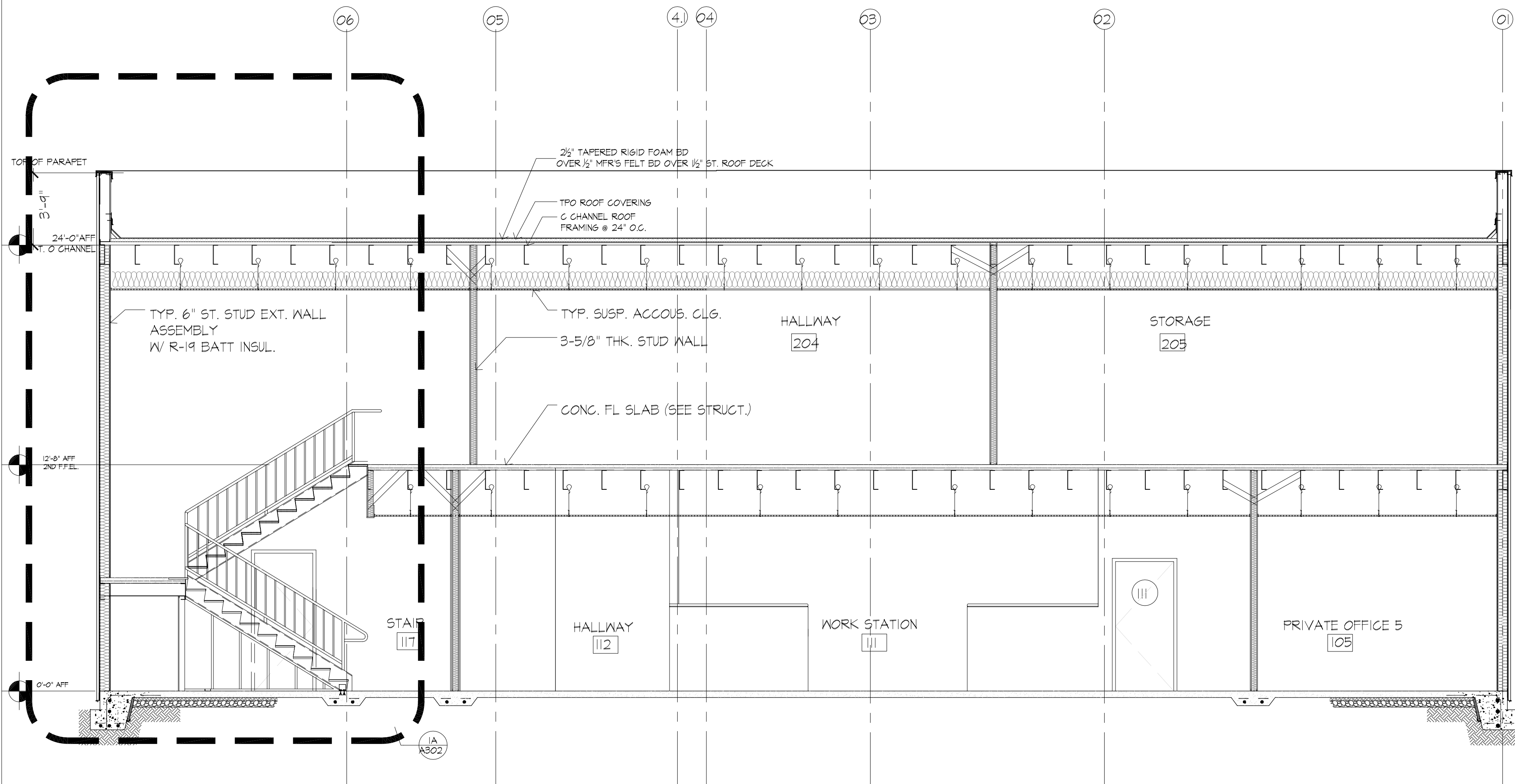
CHECKED BY:

DATE: 08-08-15

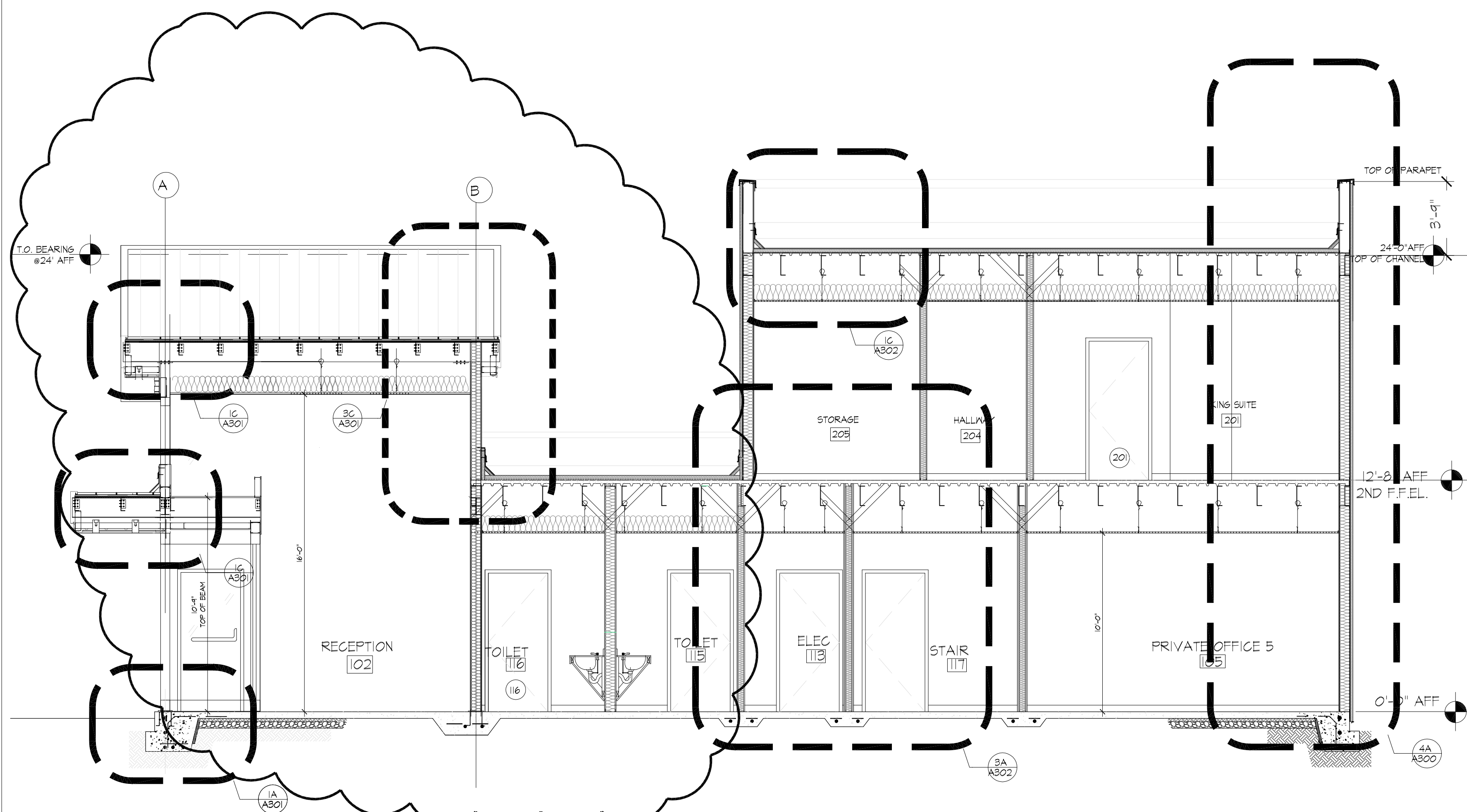
SCALE: AS NOTED

DRAWING NUMBER

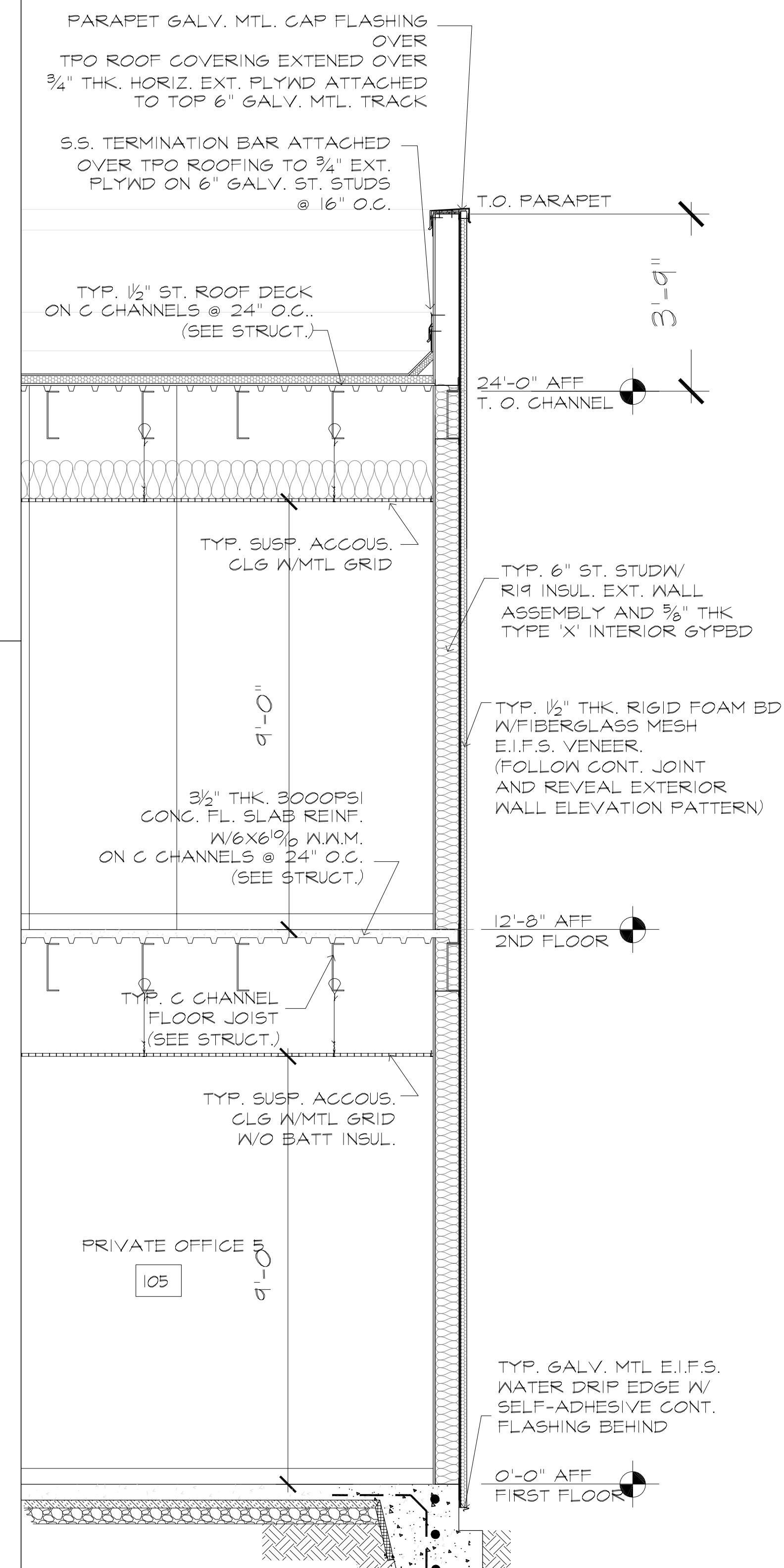
A300



1C BUILDING SECTION AT STAIRWELL
SCALE 1/4"=1'-0"



1A BUILDING SECTION AT ENTRY ATRIUM
SCALE 1/4"=1'-0"



4A WALL SECTION @ EIFS EXTERIOR
SCALE 1/2"=1'-0"



COPY RIGHTED BY
BYRON B. CARSON, JR., AIA-ARCHITECT - 2014
DRAWINGS, SPECIFICATIONS, AND DESIGN
CONCEPTS CONTAINED HEREWITH SHALL NOT BE
USED OR REPRODUCED IN WHOLE OR IN ANY
FORM, WITHOUT THE WRITTEN CONSENT OF -
BYRON B. CARSON, JR., AIA-ARCHITECT. DO NOT
SCALE THESE DRAWINGS. USE GIVEN
DIMENSIONS ONLY. IF NOT SHOWN, VERIFY
CORRECT DIMENSIONS WITH THE ARCHITECT.
CONTRACTOR SHALL VERIFY ALL DIMENSIONS
PRIOR TO INSTALLATION OF THE WORK
DESCRIBED HEREIN.

CONSULTANTS

ISSUES & REVISIONS

NO.	DATE	DESCRIPTION
1	08/07/2014	CODE SUBMITTAL

PROJECT NAME:

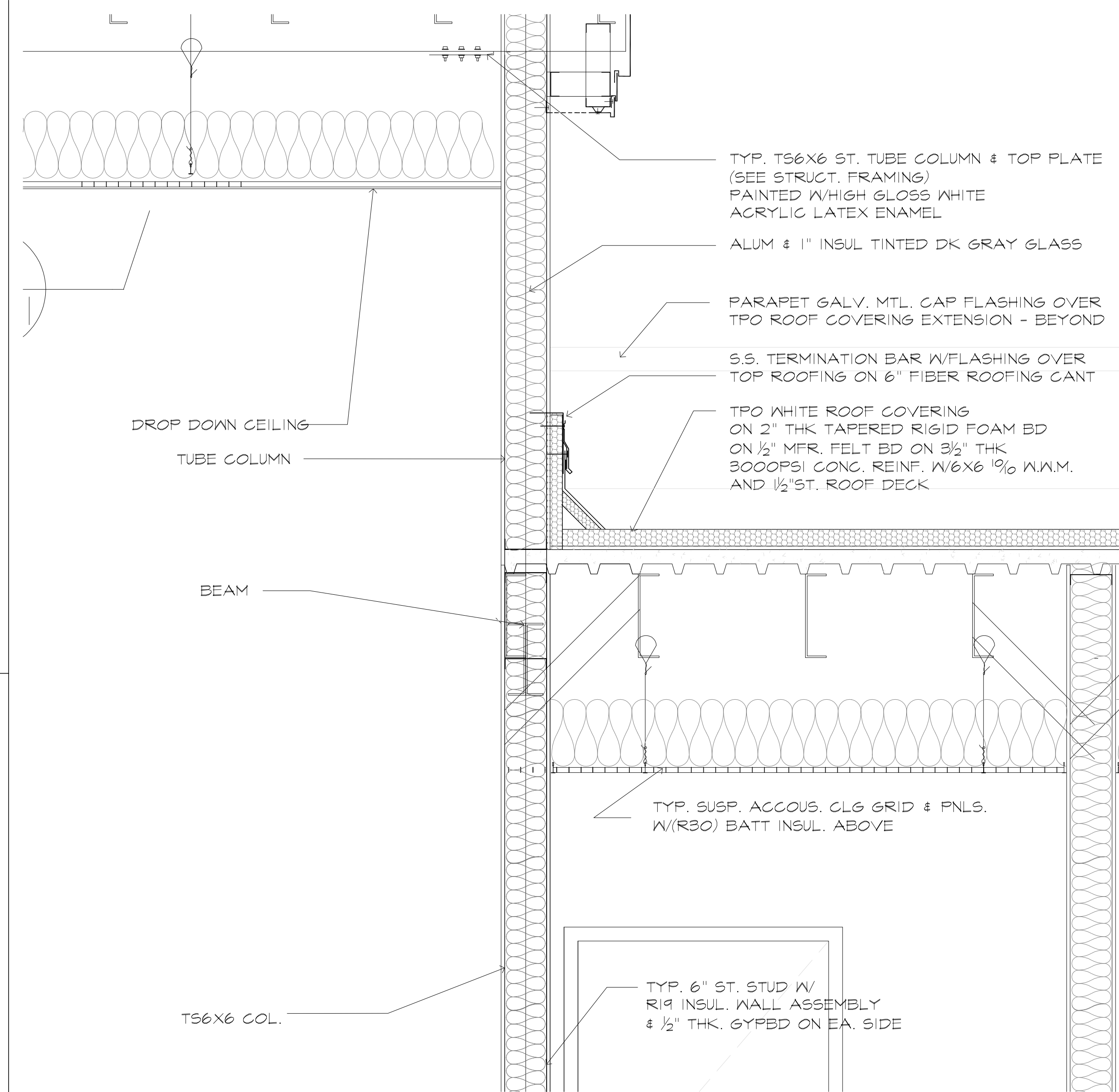
PROJECT NUMBER:

DRAWING NAME:
SECTIONS & DETAILS

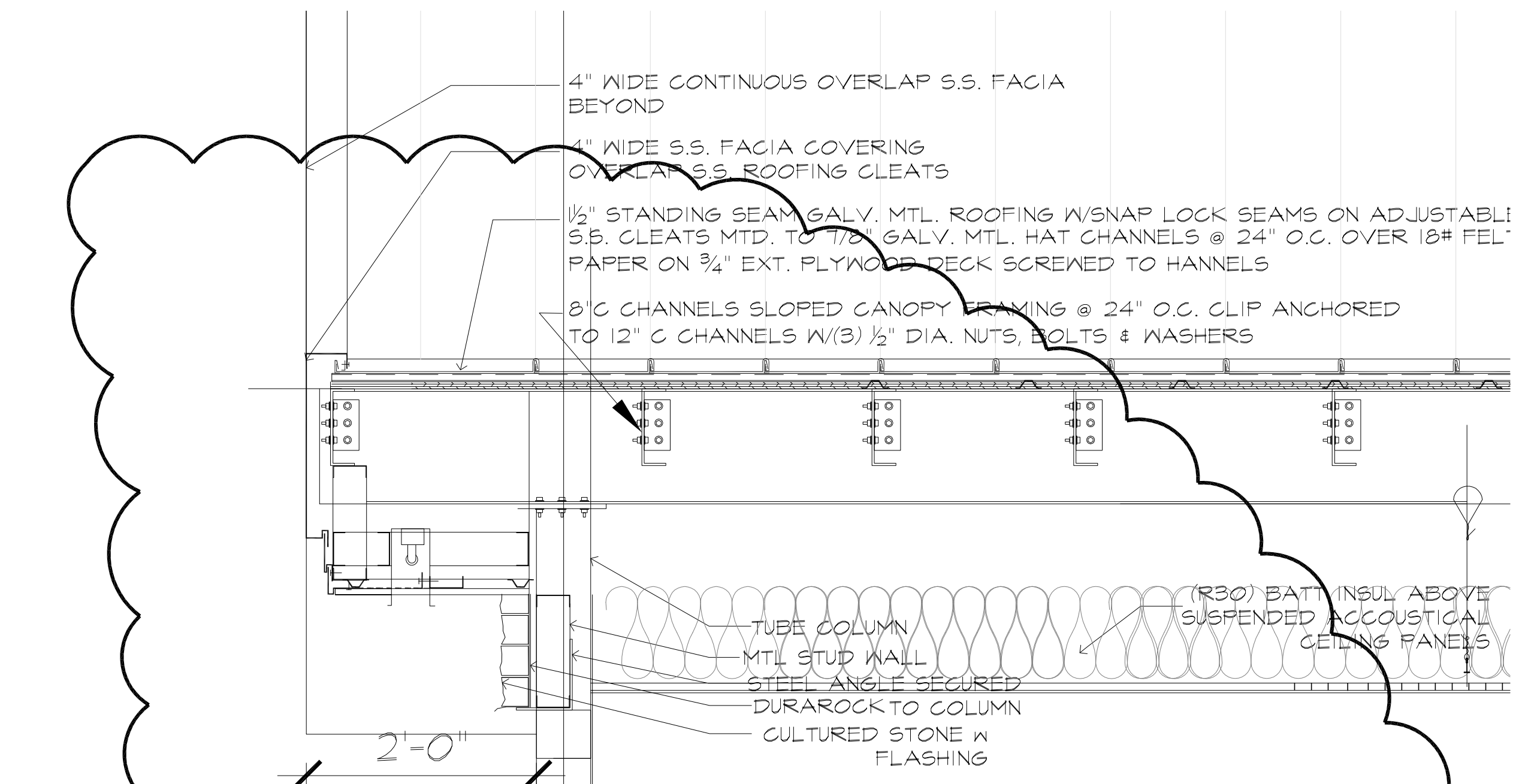
DRAWN BY:
CHECKED BY:
DATE: 08-08-15
SCALE: AS NOTED

DRAWING NUMBER

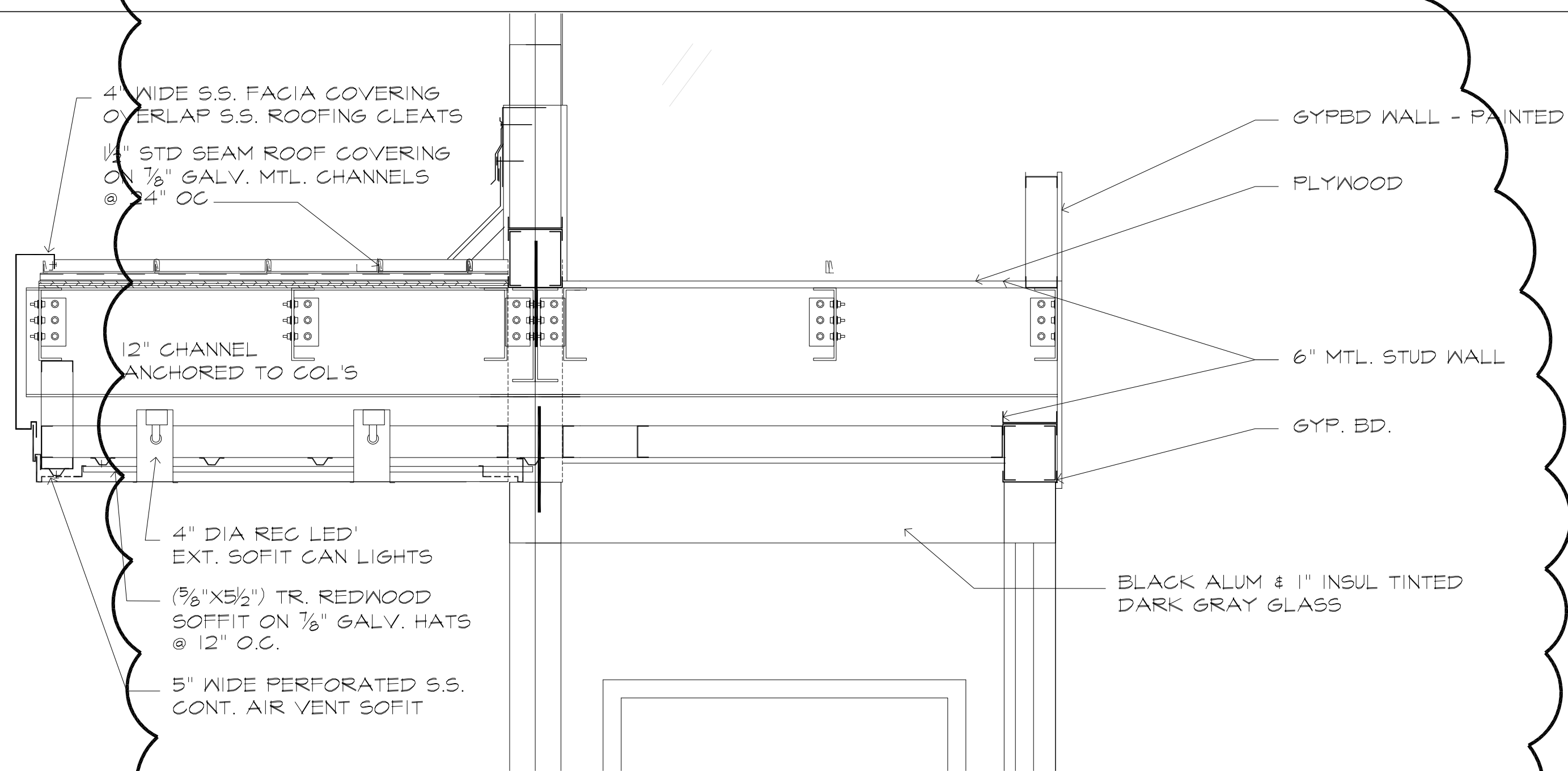
A301



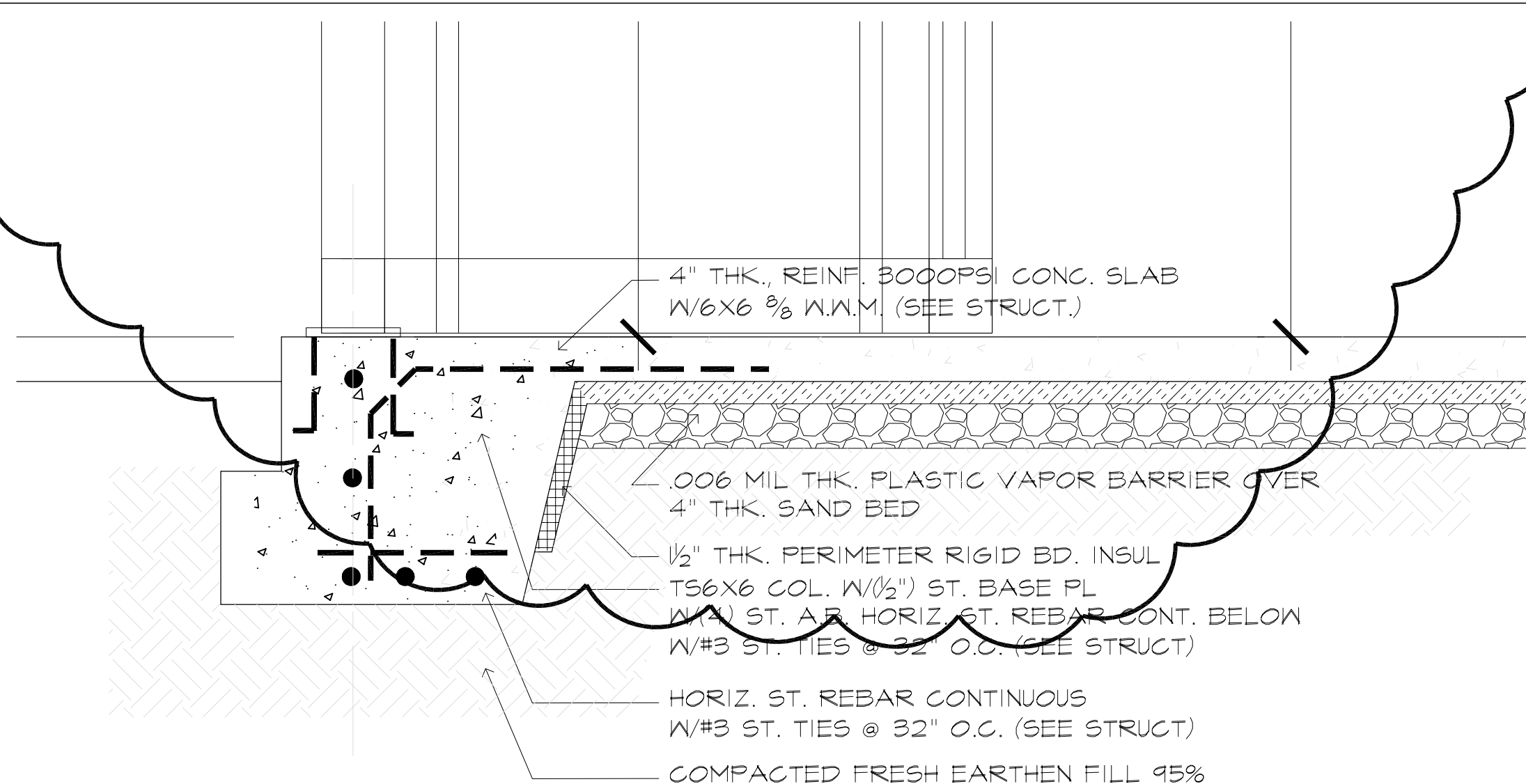
3C SECTION @ ATRIUM AND MEZZANINE
SCALE 1"=1'-0"



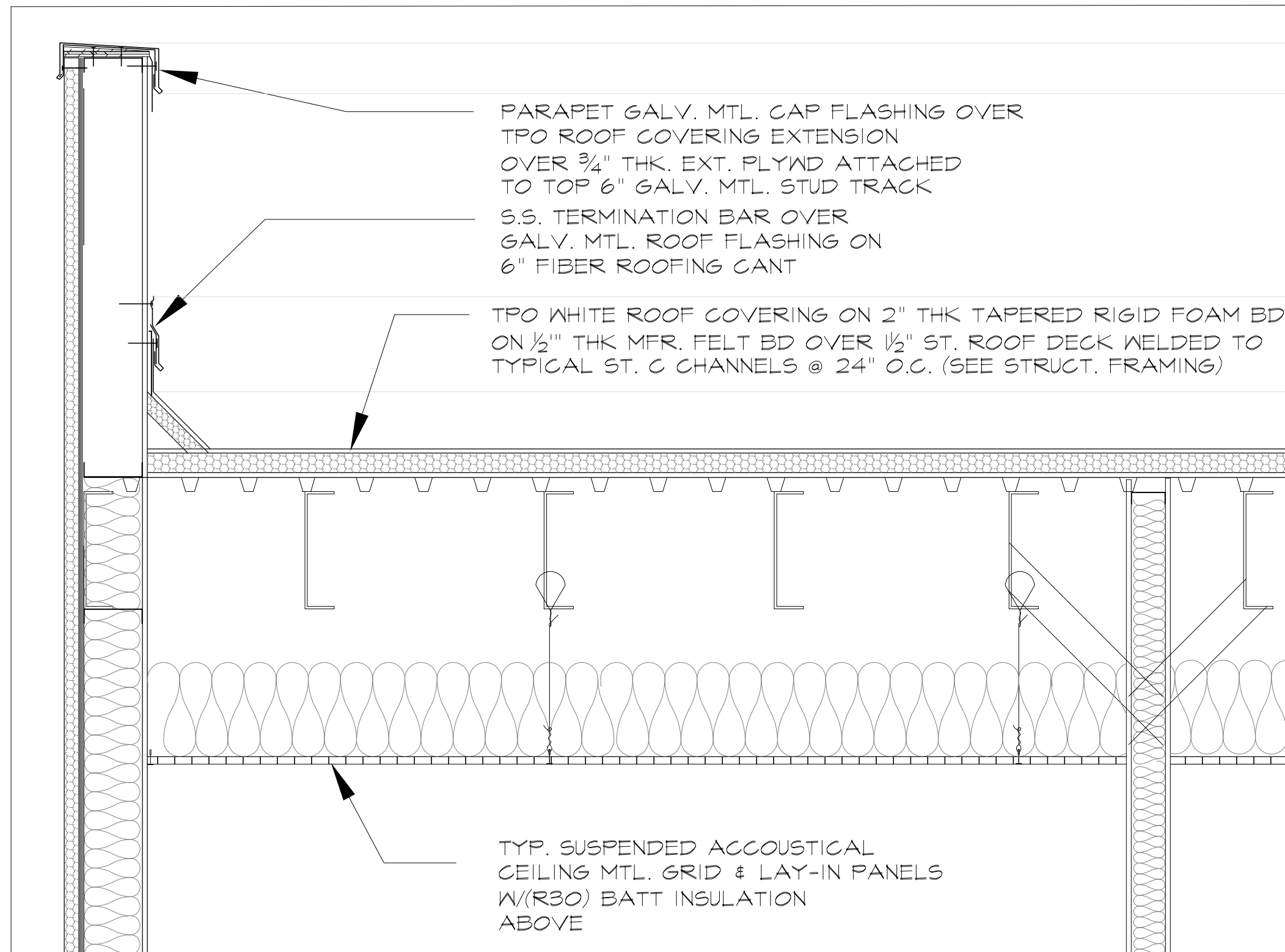
1D ROOF DETAIL
SCALE 1"=1'-0"



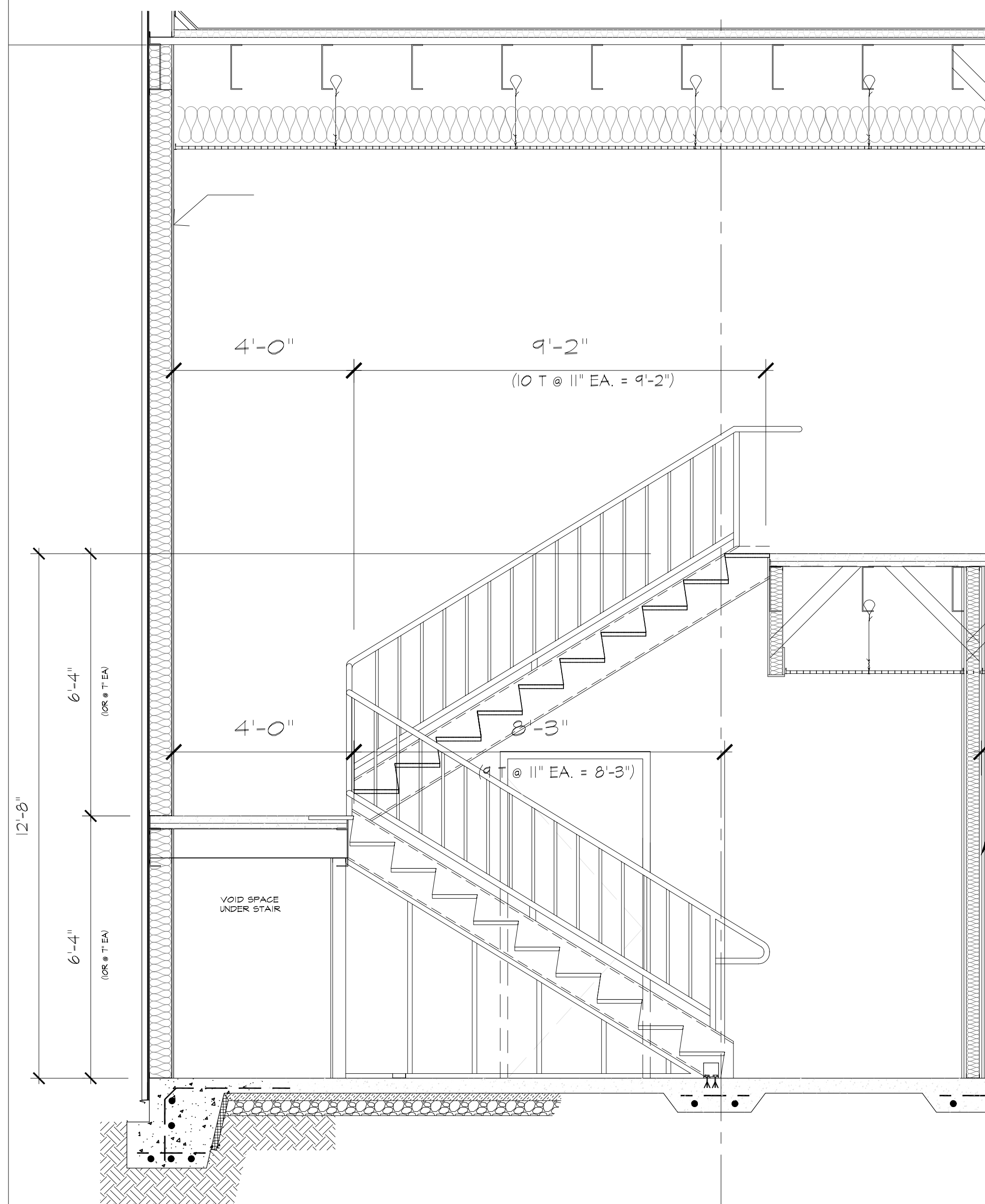
1B ENTY CANOPY SECT. DETAIL
SCALE 1"=1'-0"



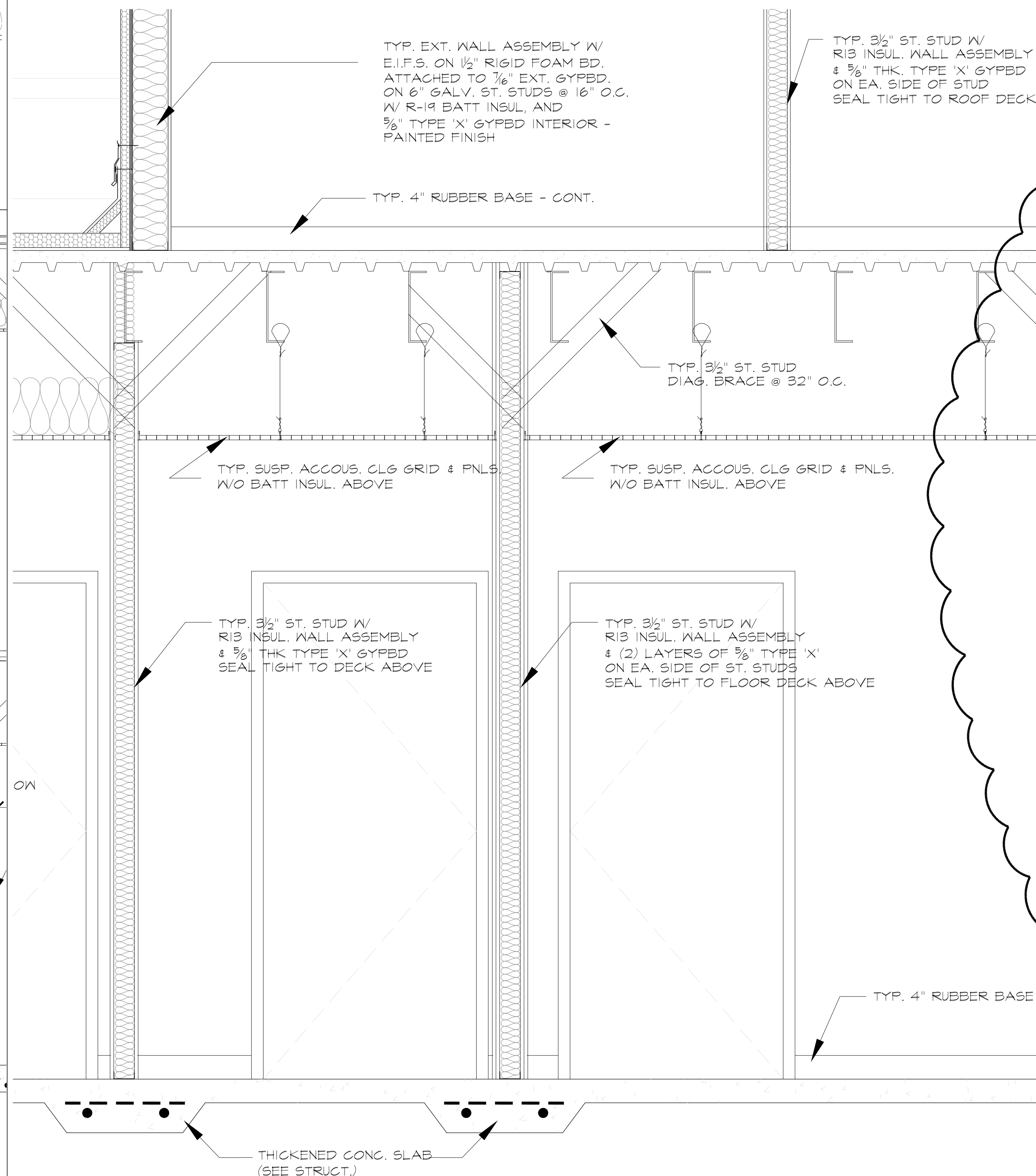
1A DETAIL - FOOTING (TYP.)
SCALE 1"=1'-0"



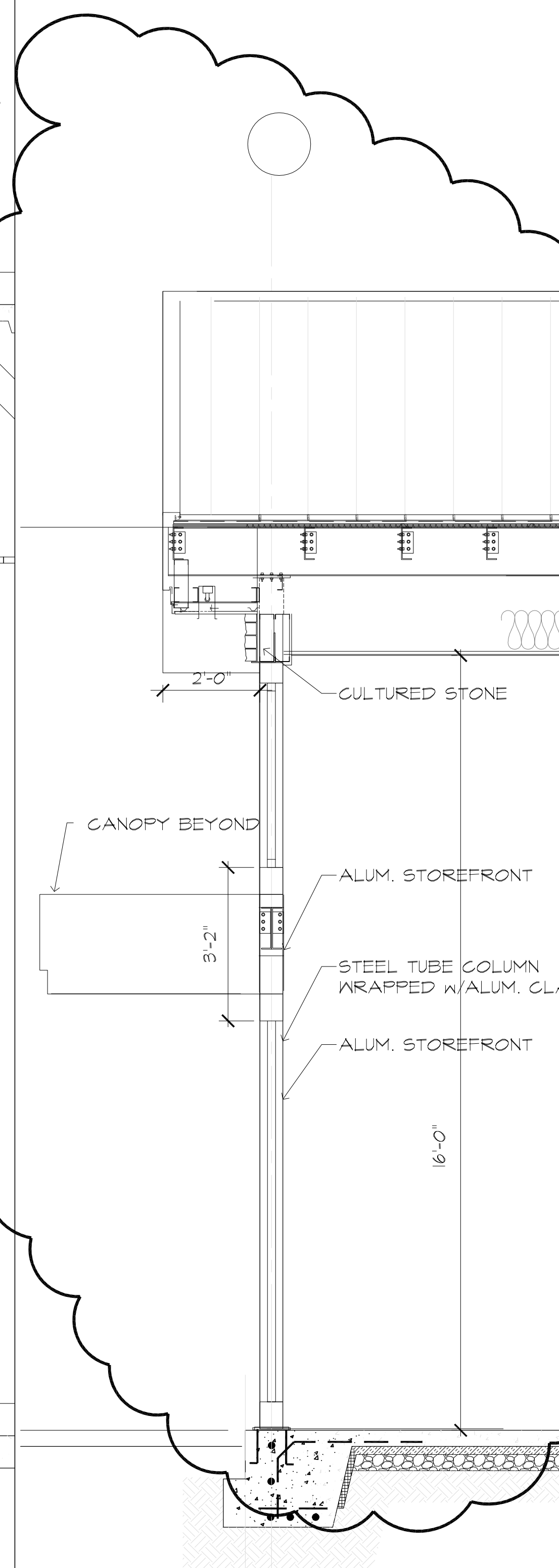
1C SECTION DETAILS
SCALE 1/4"=1'-0"



1A STAIR @ SECTION
SCALE 1/2"=1'-0"



3A SECTION DETAILS
SCALE 1/4"=1'-0"



5A SECTION DETAILS
SCALE 1/2"=1'-0"

BYRON B. CARSON, JR., AIA

ARCHITECT

5134 ELMORE, SUITE 6
MEMPHIS, TN 38134
PH: 901.433.9492
FAX: 901.208.8842

bcarson.carsoninc@comcast.net

COMMERCIAL + MULTI-FAMILY + RESIDENTIAL
ARCHITECTURAL DESIGN & INTERIOR DESIGN

A MEMBER FIRM OF THE
AMERICAN INSTITUTE OF ARCHITECTS SINCE 1985

JVD OFFICE

SOUTHAVEN, MS

SEAL



COPY RIGHTED BY
BYRON B. CARSON, JR., AIA-ARCHITECT - 2014
DRAWINGS, SPECIFICATIONS, AND DESIGN
CONCEPTS CONTAINED HEREWITH SHALL NOT BE
USED OR REPRODUCED IN WHOLE OR IN ANY
FORM WITHOUT THE WRITTEN CONSENT OF -
BYRON B. CARSON, JR., AIA-ARCHITECT. DO NOT
SCALE THESE DRAWINGS. USE GIVEN
DIMENSIONS ONLY. IF NOT SHOWN, VERIFY
CORRECT DIMENSIONS WITH THE ARCHITECT.
CONTRACTOR SHALL VERIFY ALL DIMENSIONS
PRIOR TO INSTALLATION OF THE WORK
DESCRIBED HEREIN.

CONSULTANTS

ISSUES & REVISIONS

NO.	DATE	DESCRIPTION
1	08/07/2014	CODE SUBMITTAL

PROJECT NAME:

PROJECT NUMBER:

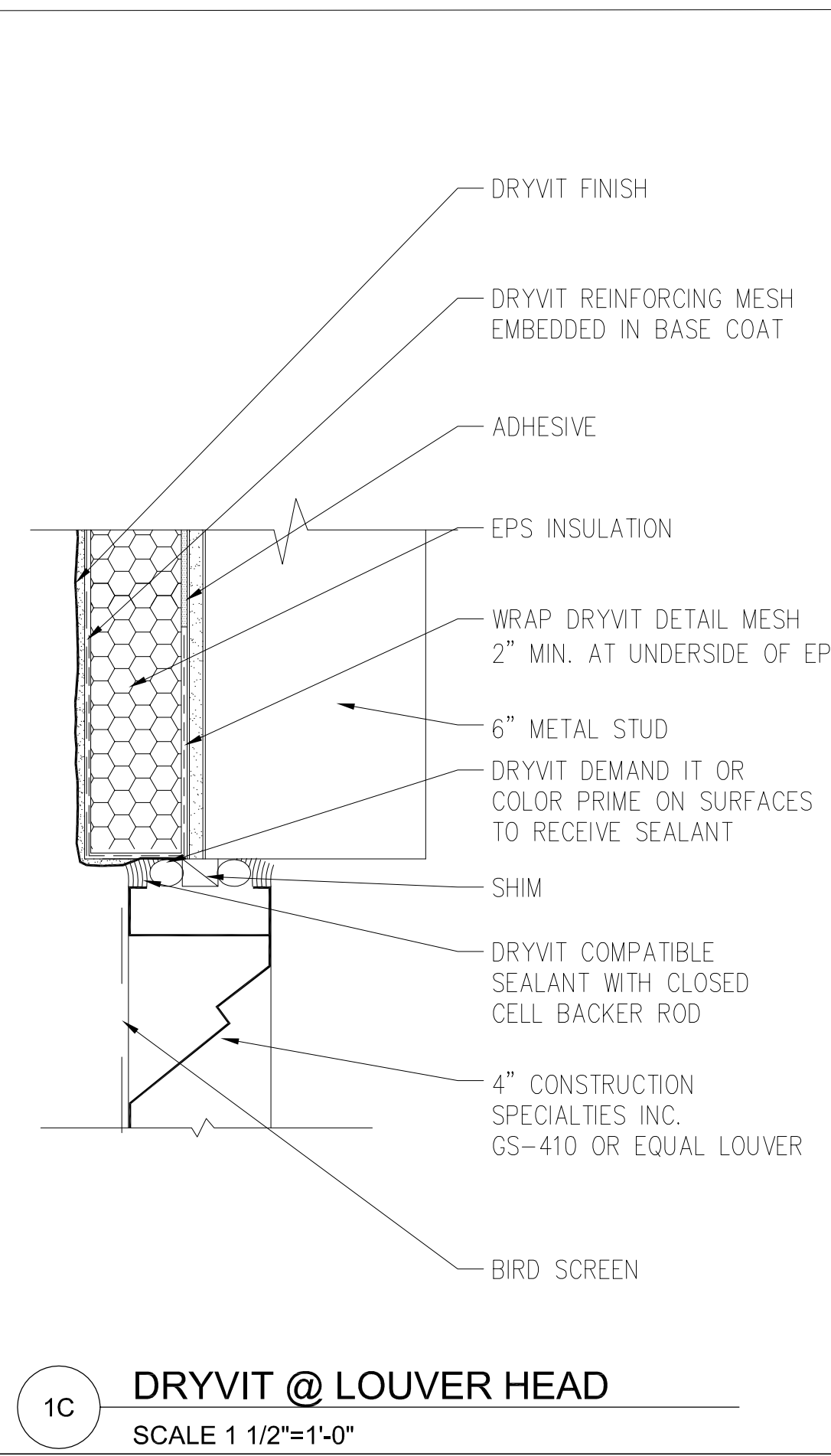
DRAWING NAME:

SECTIONS & DETAILS

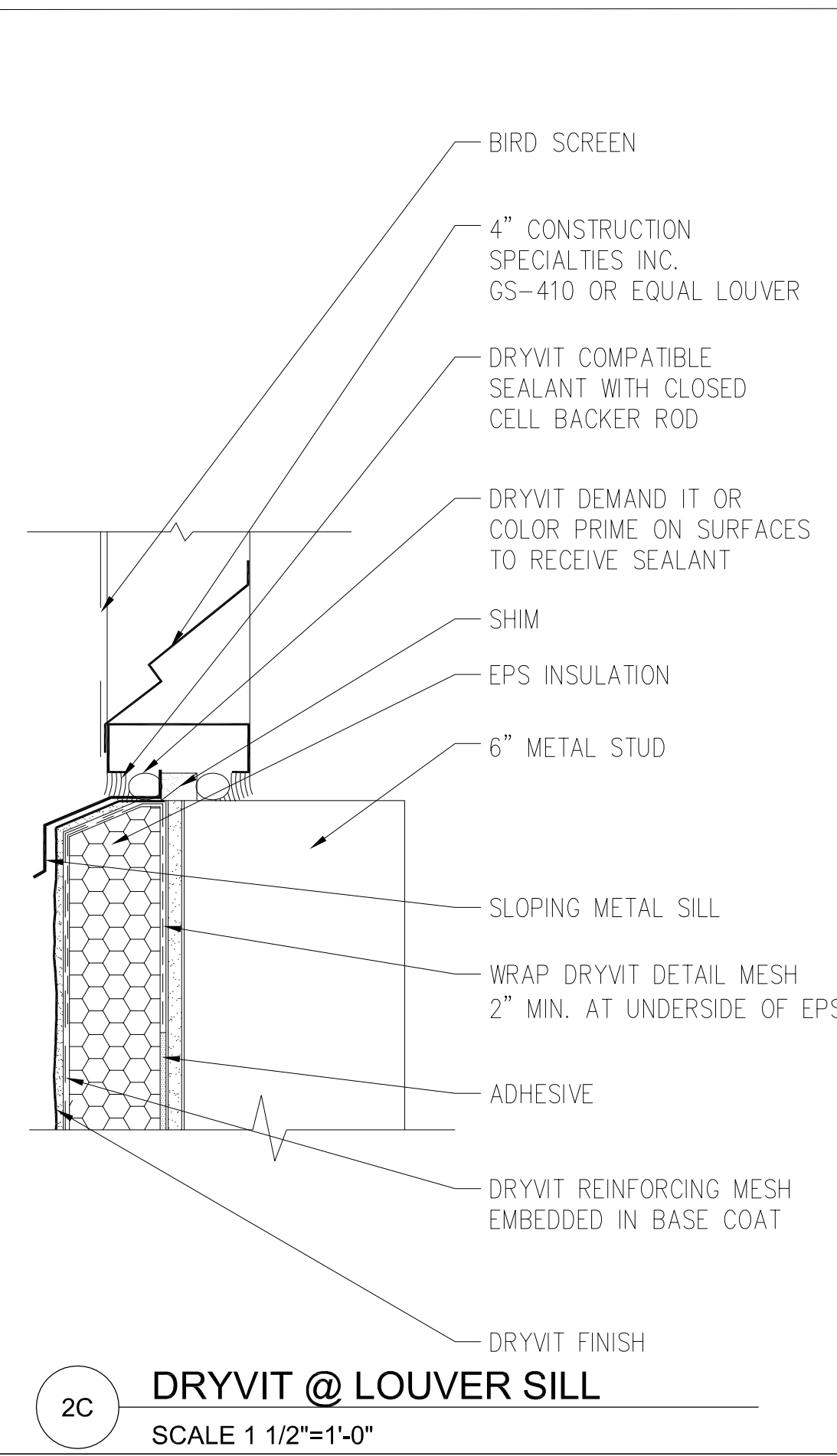
DRAWN BY:
CHECKED BY:
DATE: 08-08-15
SCALE: AS NOTED

DRAWING NUMBER

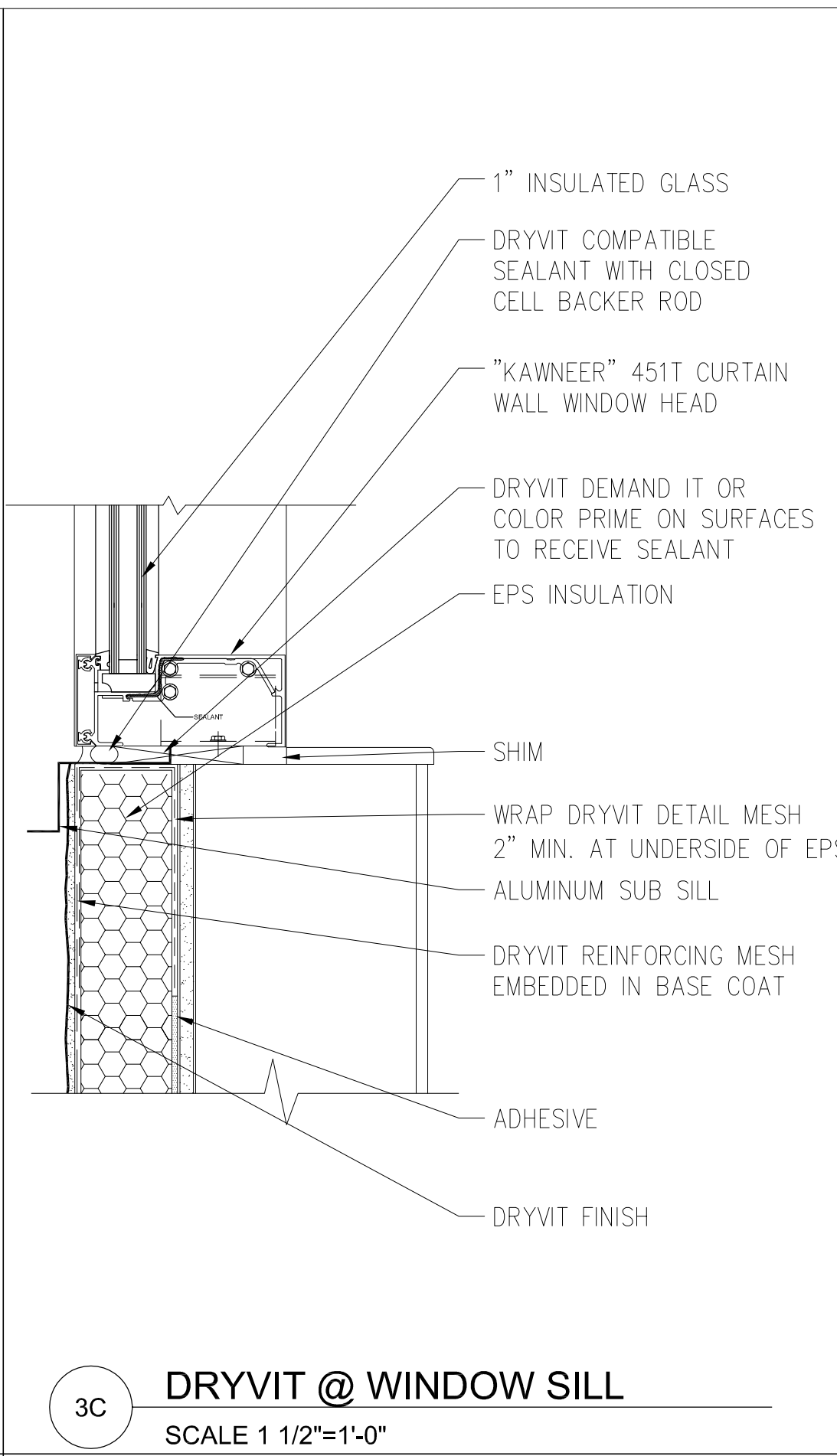
A302



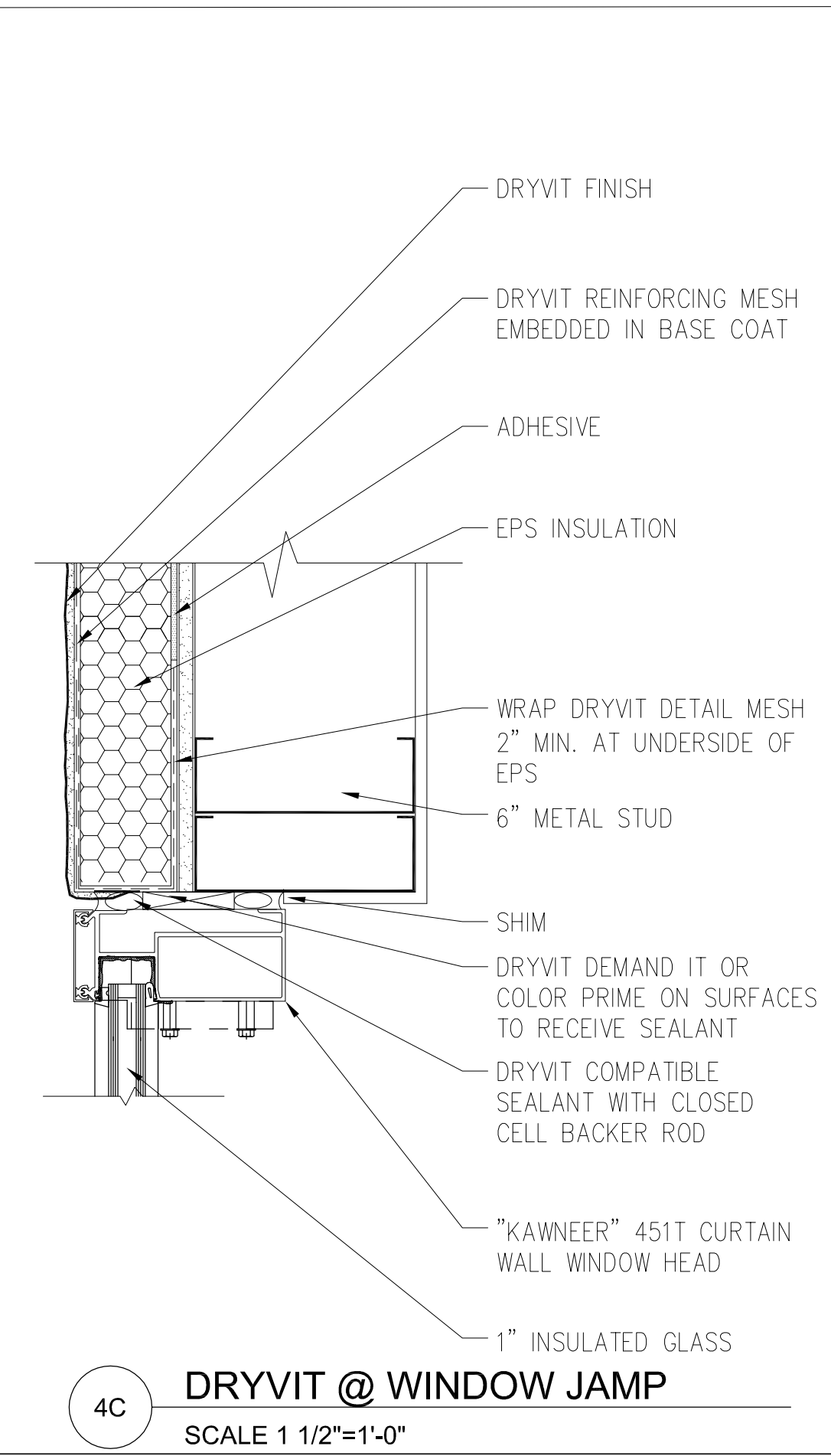
1C DRYVIT @ LOUVER HEAD
SCALE 1 1/2"=1'-0"



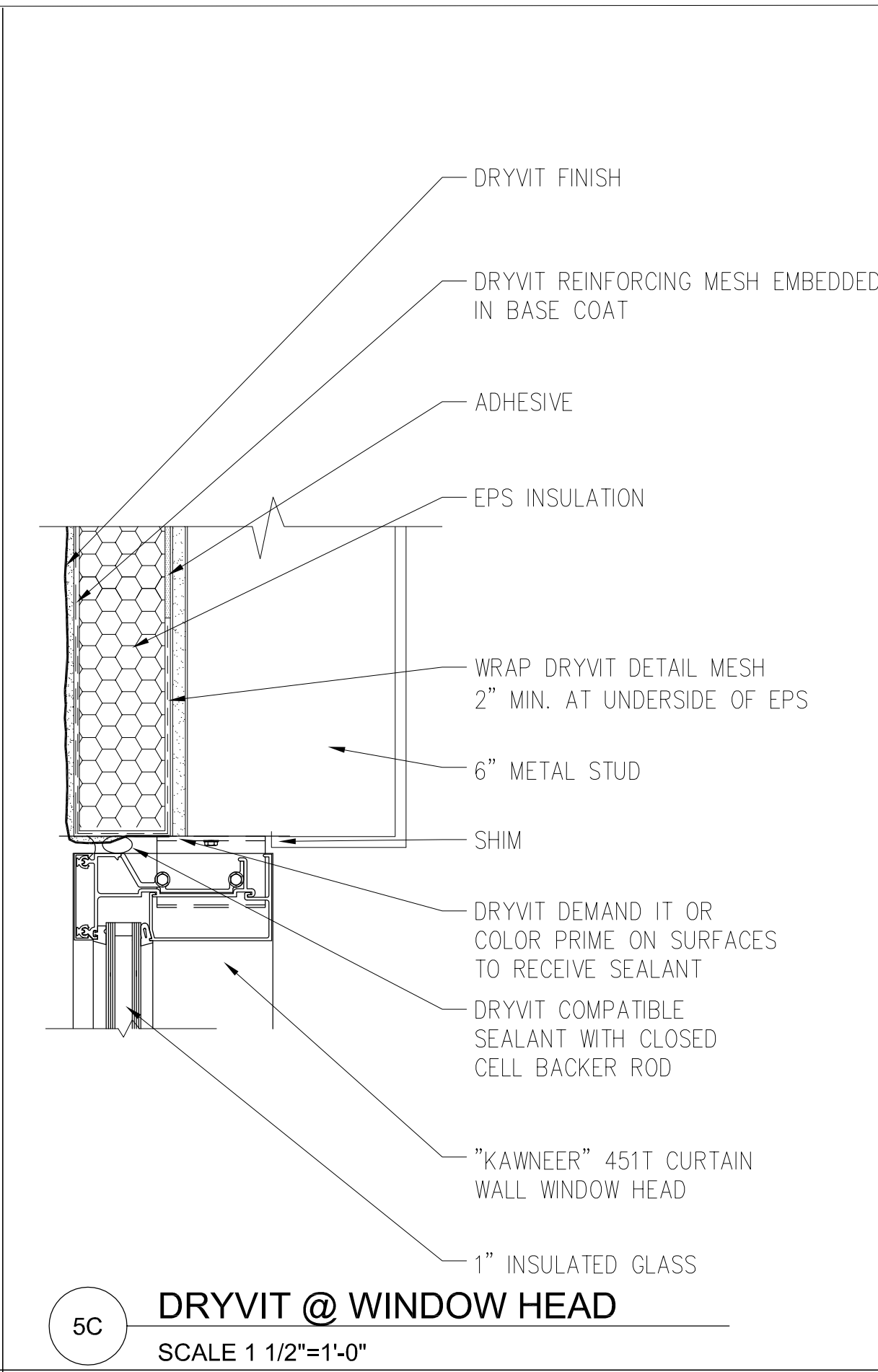
2C DRYVIT @ LOUVER SILL
SCALE 1 1/2"=1'-0"



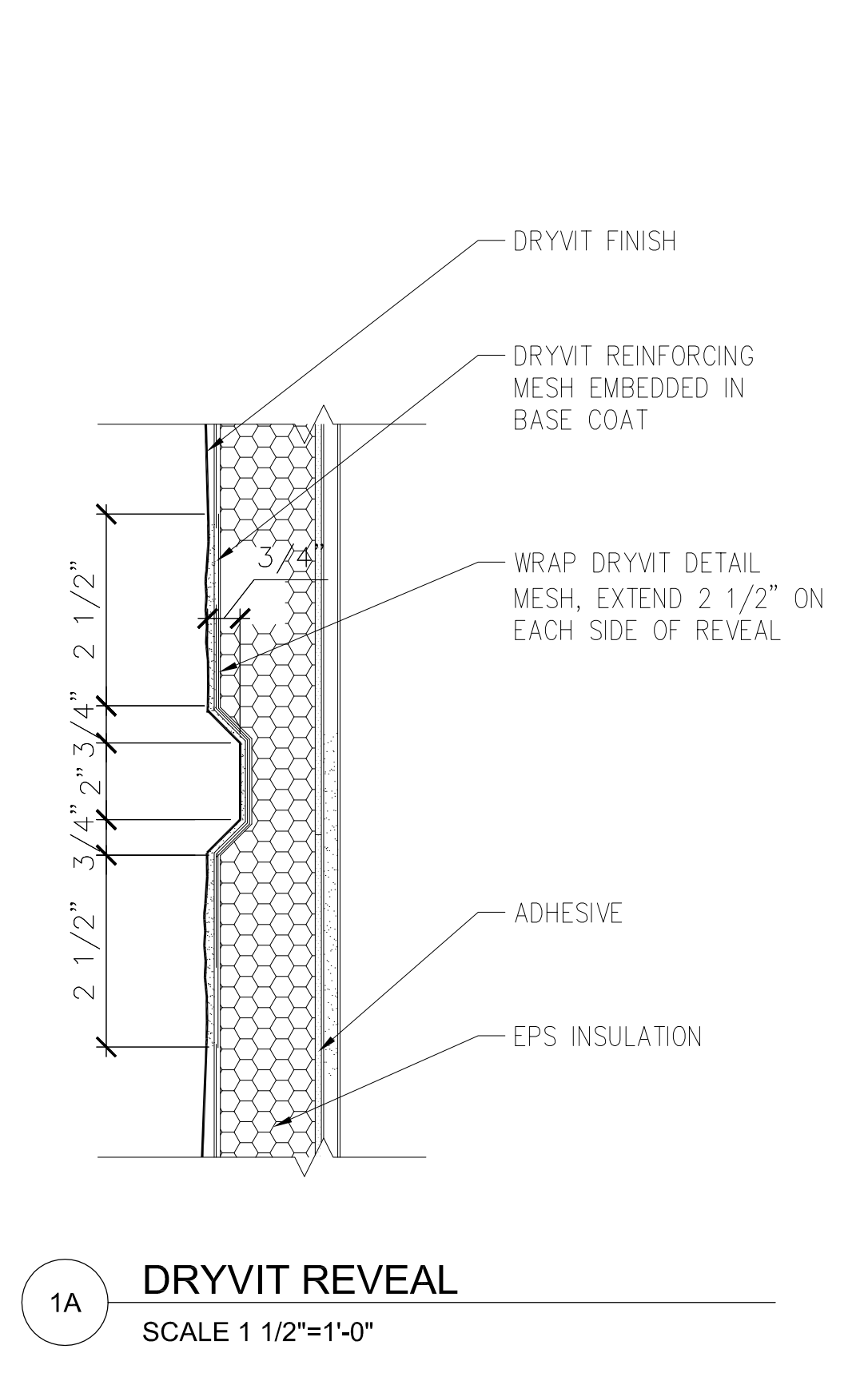
3C DRYVIT @ WINDOW SILL
SCALE 1 1/2"=1'-0"



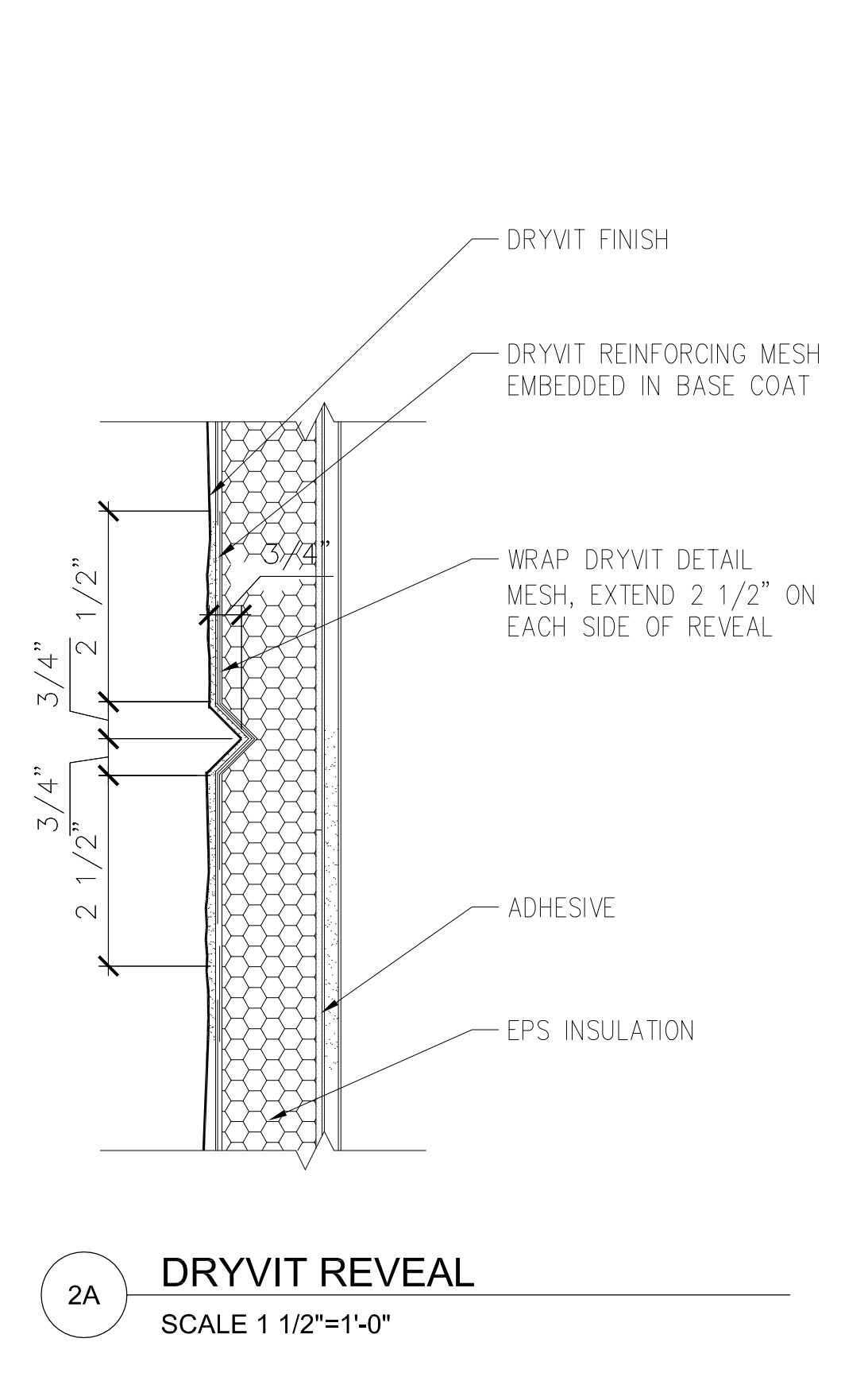
4C DRYVIT @ WINDOW JAMP
SCALE 1 1/2"=1'-0"



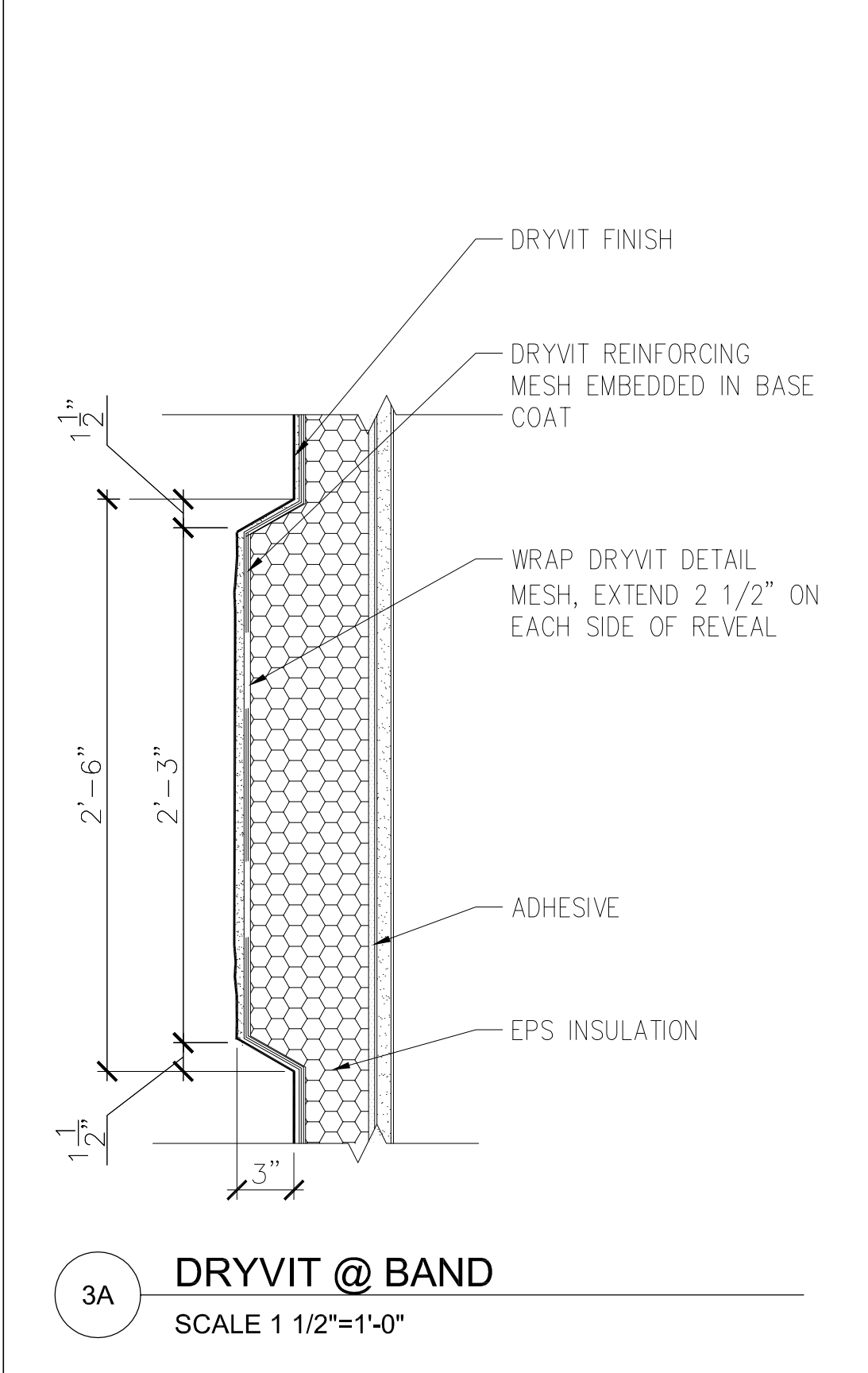
5C DRYVIT @ WINDOW HEAD
SCALE 1 1/2"=1'-0"



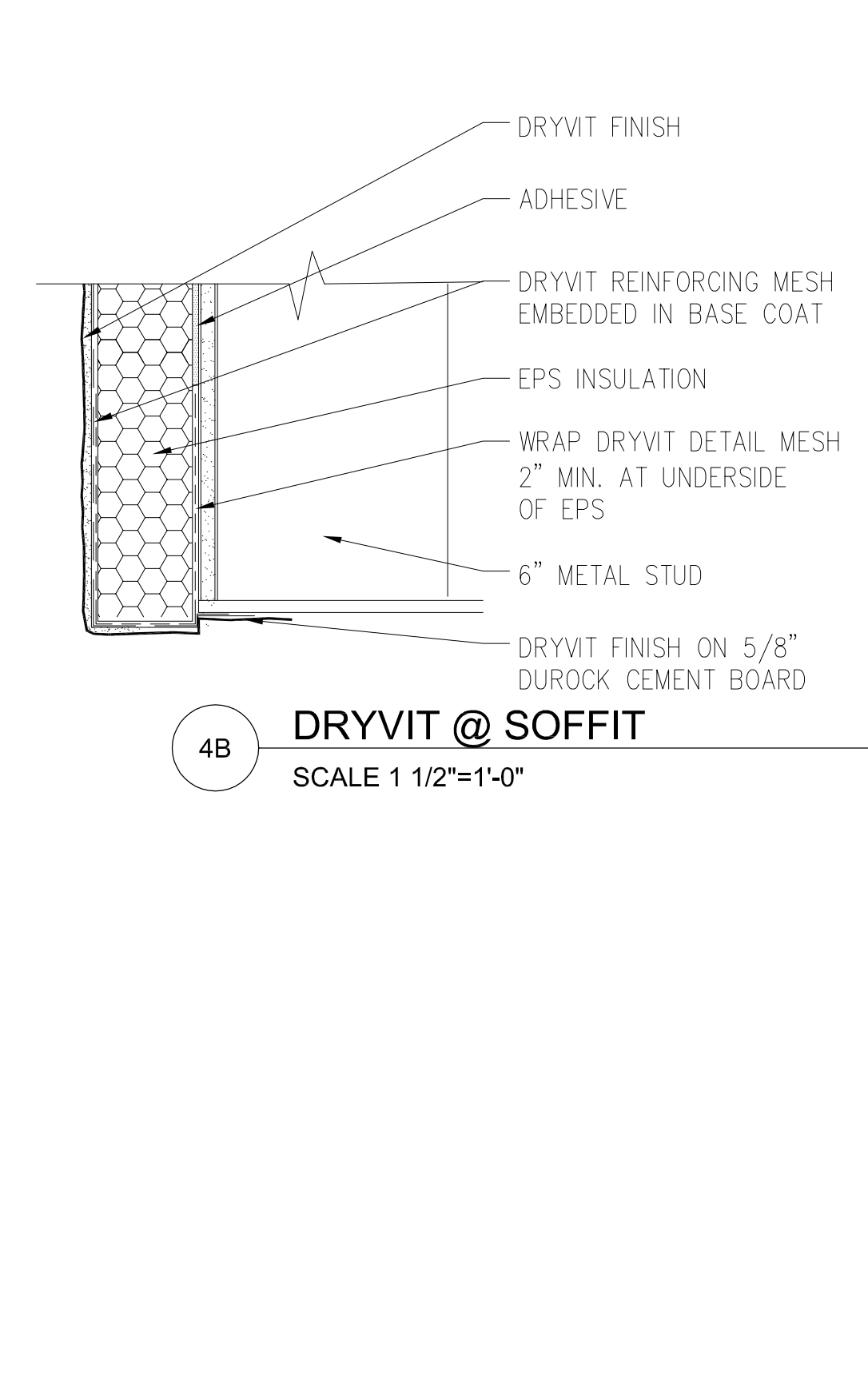
1A DRYVIT REVEAL
SCALE 1 1/2"=1'-0"



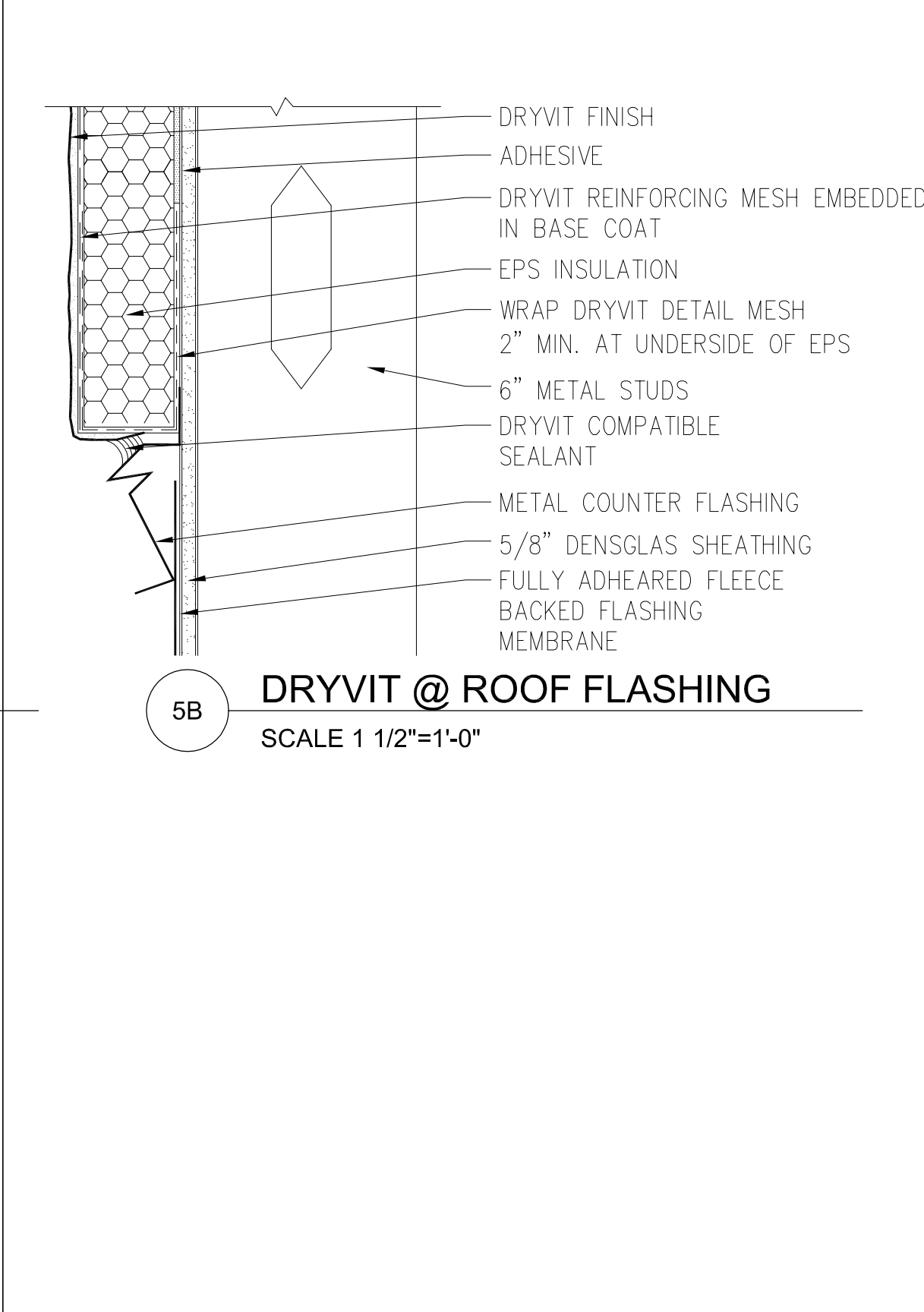
2A DRYVIT REVEAL
SCALE 1 1/2"=1'-0"



3A DRYVIT @ BAND
SCALE 1 1/2"=1'-0"



4B DRYVIT @ SOFFIT
SCALE 1 1/2"=1'-0"



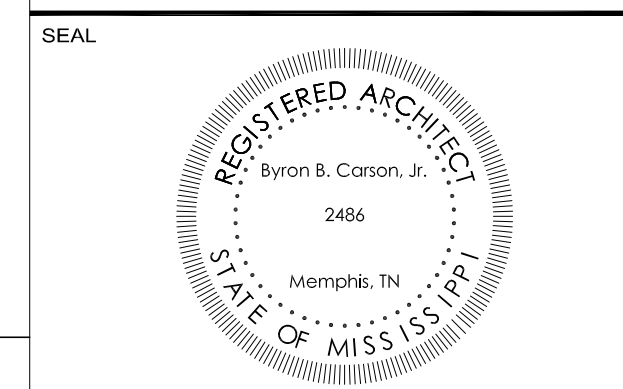
5B DRYVIT @ ROOF FLASHING
SCALE 1 1/2"=1'-0"

BYRON B. CARSON, JR., AIA
ARCHITECT
5134 ELMORE, SUITE 6
MEMPHIS, TN 38134
PH: 901.433.9492
FAX: 901.208.8842
bcarson.carsoninc@comcast.net

COMMERCIAL • MULTI-FAMILY • RESIDENTIAL
ARCHITECTURAL DESIGN & INTERIOR DESIGN

A MEMBER FIRM OF THE
AMERICAN INSTITUTE OF ARCHITECTS SINCE 1985

JVD OFFICE
SOUTHAVEN, MS



COPY RIGHTED BY
BYRON B. CARSON, JR., AIA-ARCHITECT - 2014
DRAWINGS, SPECIFICATIONS, AND DESIGN
CONCEPTS CONTAINED HEREWITH SHALL NOT BE
USED OR REPRODUCED IN WHOLE OR IN ANY
FORM, WITHOUT THE WRITTEN CONSENT OF
BYRON B. CARSON, JR., AIA-ARCHITECT. DO NOT
SCALE THESE DRAWINGS. USE GIVEN
DIMENSIONS ONLY. IF NOT SHOWN, VERIFY
CORRECT DIMENSIONS WITH THE ARCHITECT.
CONTRACTOR SHALL VERIFY ALL DIMENSIONS
PRIOR TO INSTALLATION OF THE WORK
DESCRIBED HEREIN.

CONSULTANTS

ISSUES & REVISIONS		
NO.	DATE	DESCRIPTION
1	08/07/2014	CODE SUBMITTAL

PROJECT NAME:

PROJECT NUMBER:

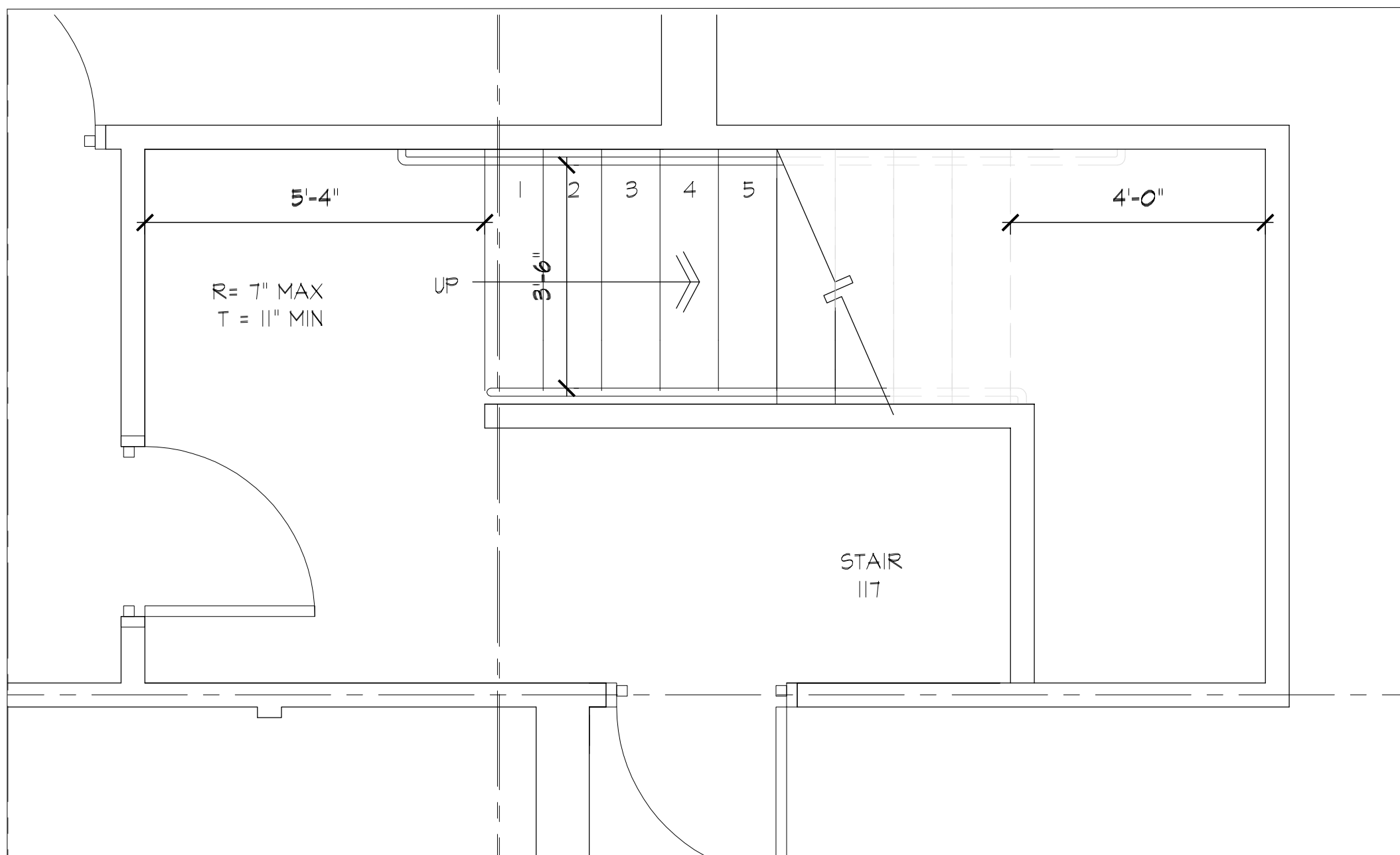
DRAWING NAME:

DETAILS

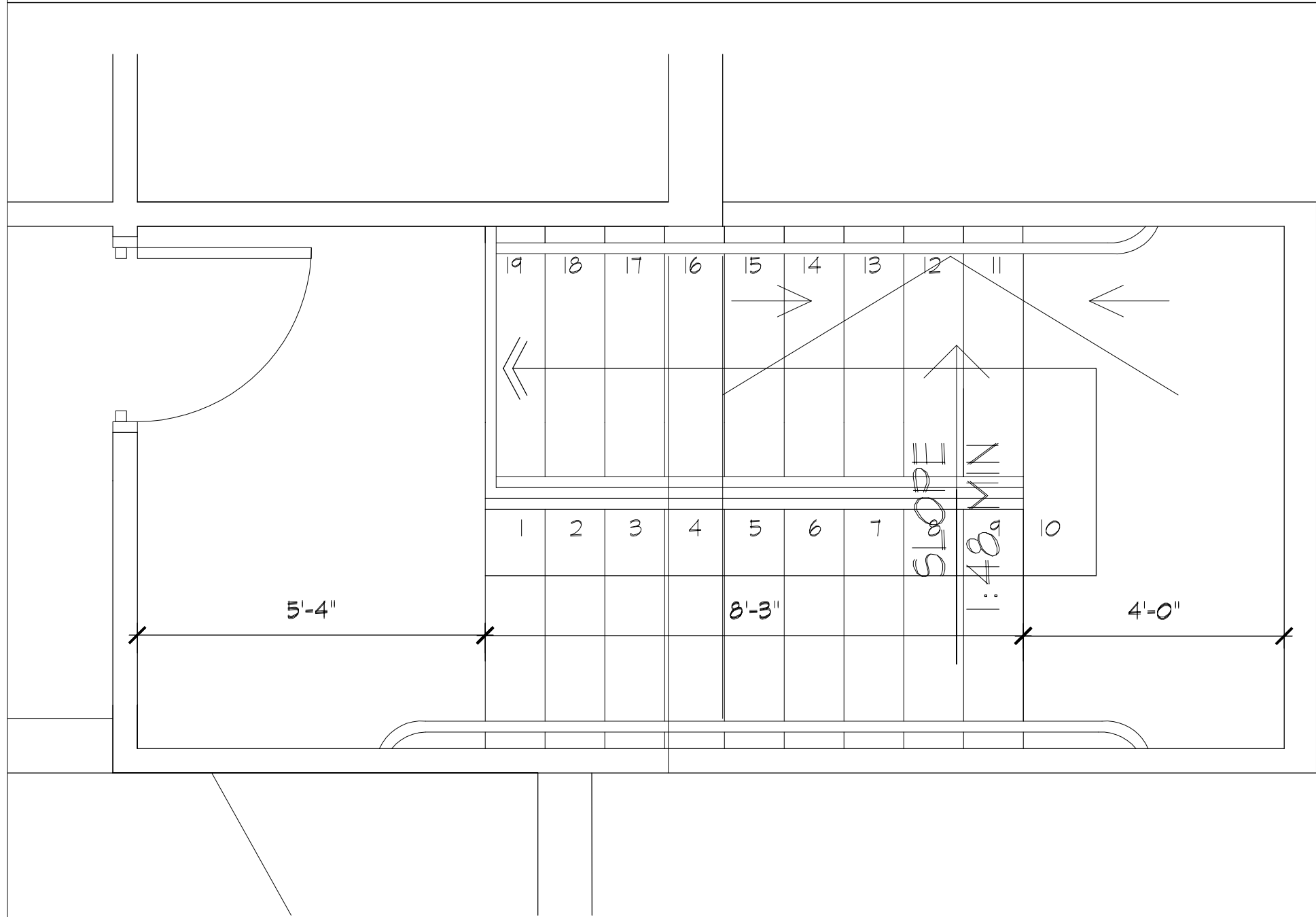
DRAWN BY:
CHECKED BY:
DATE: 08-08-15
SCALE: AS NOTED

DRAWING NUMBER

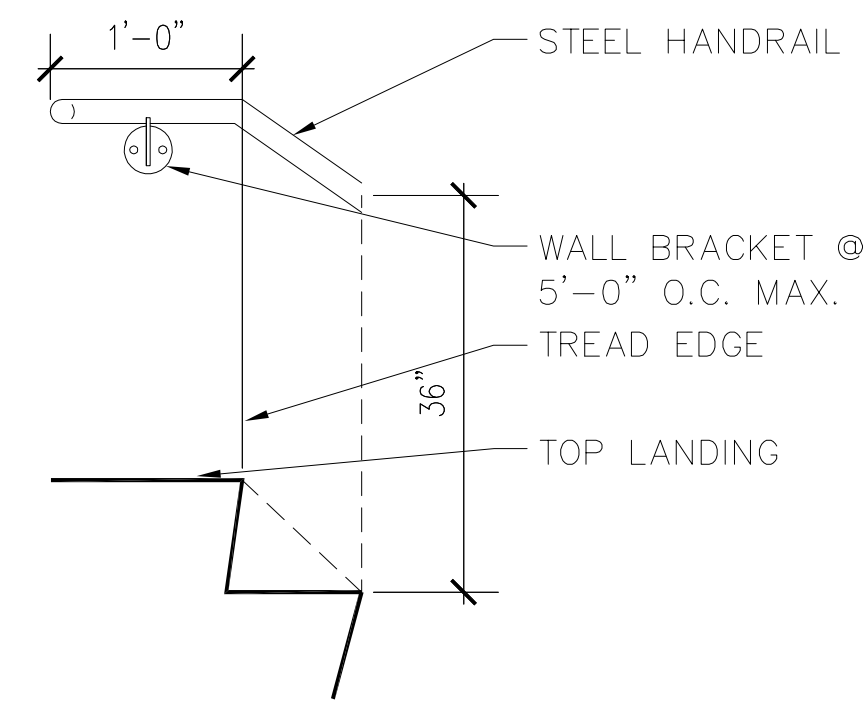
A303



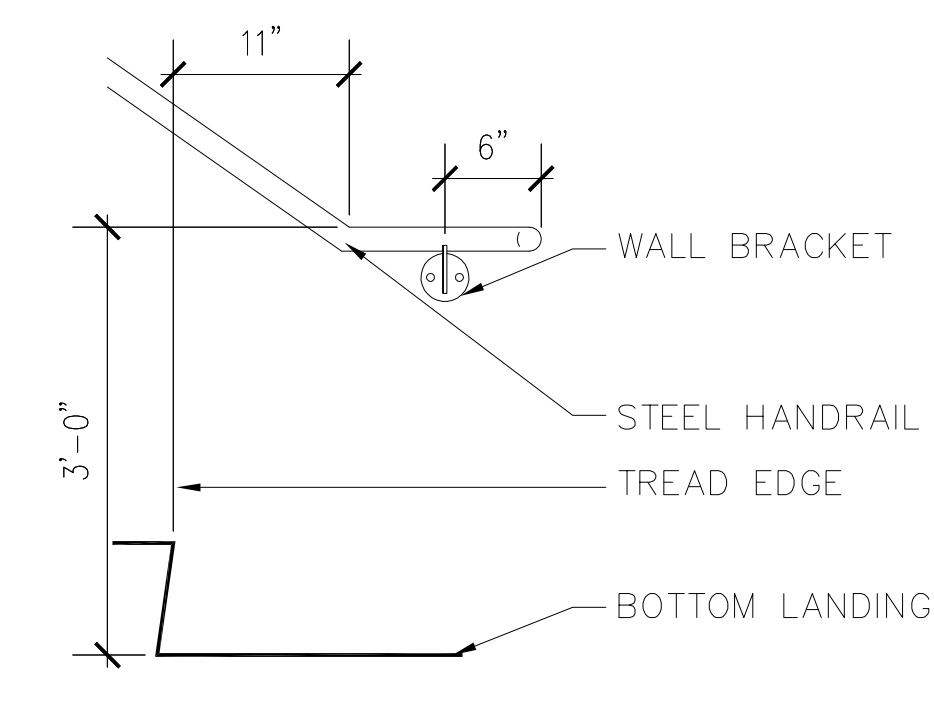
1C ENLARGED PLAN - STAIR FIRST FLOOR
SCALE = 1/2"=1'-0"



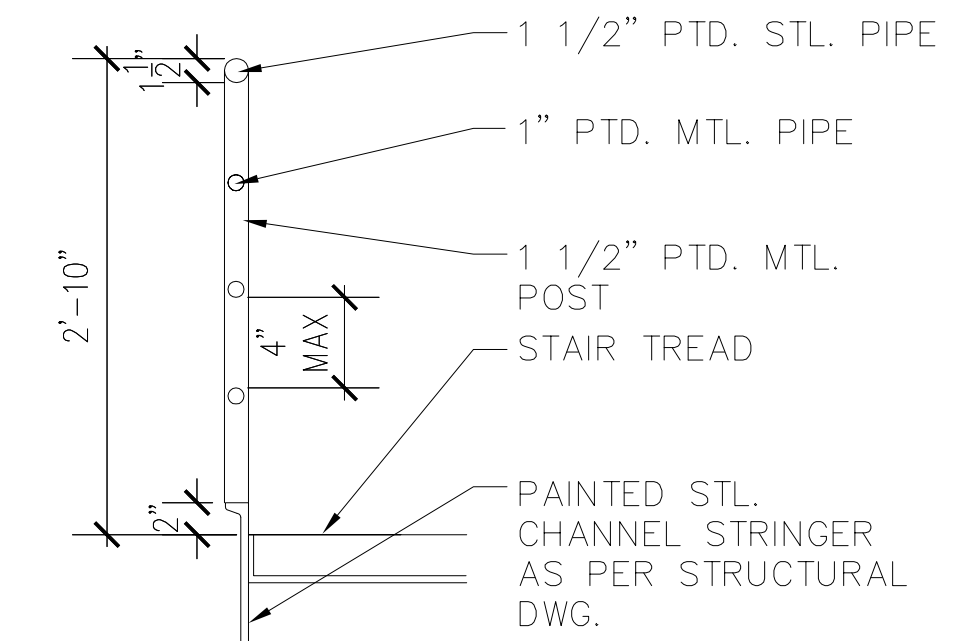
1B ENLARGED PLAN - STAIR SECOND FLOOR
SCALE = 1/2"=1'-0"



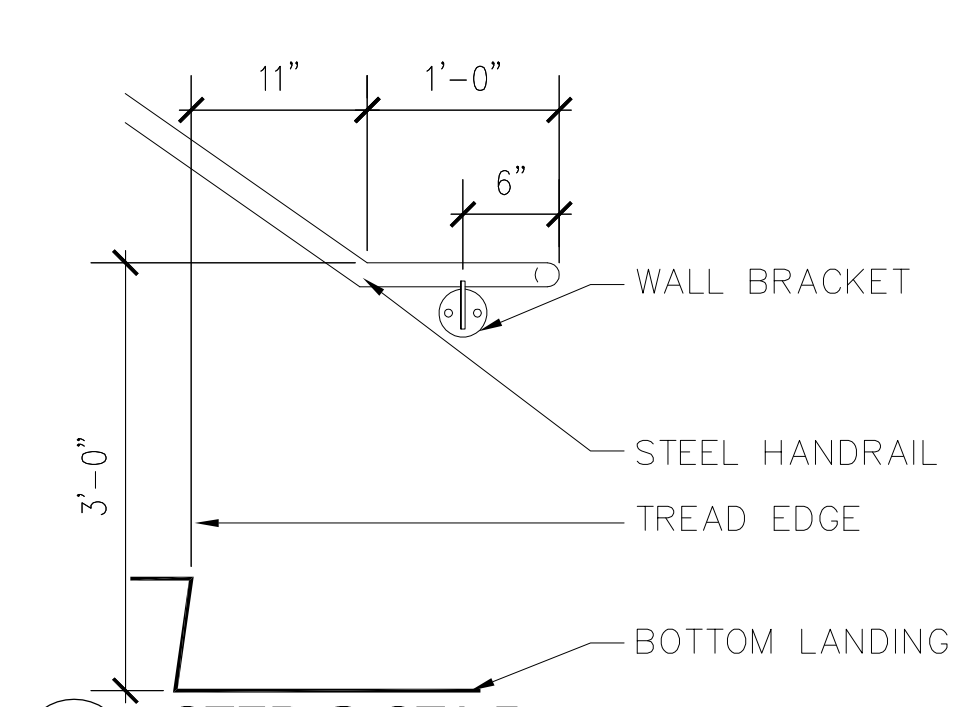
2D HANDRAIL @ STAIR
SCALE = 1"=1'-0"



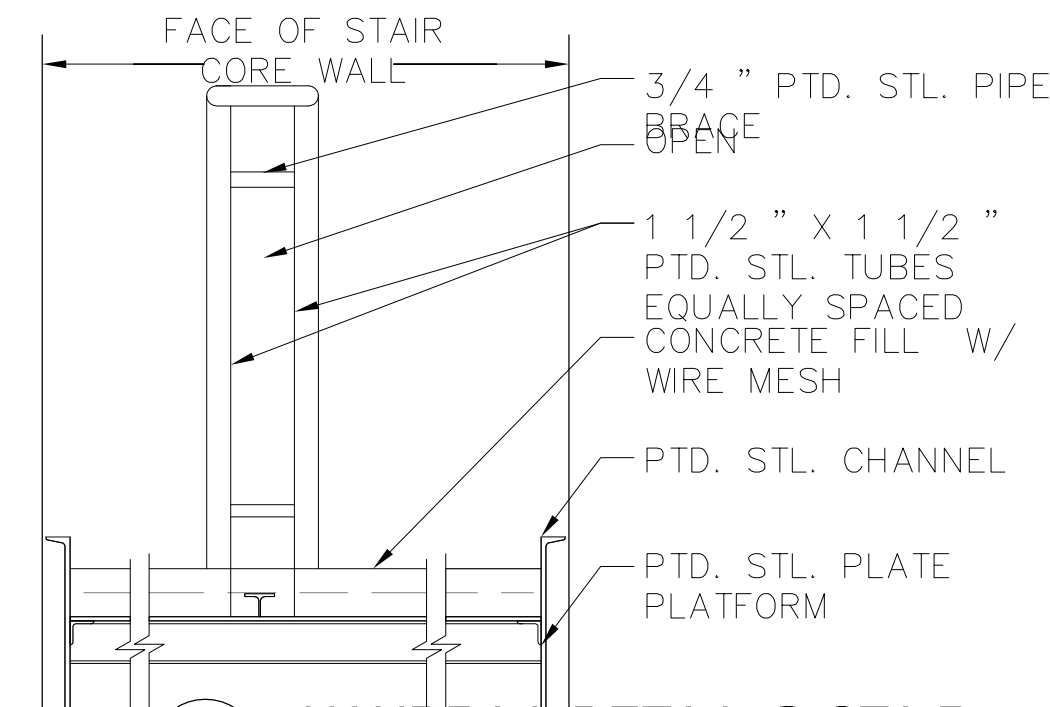
3D HANDRAIL DETAIL @ STAIR
SCALE = 3"=1'-0"



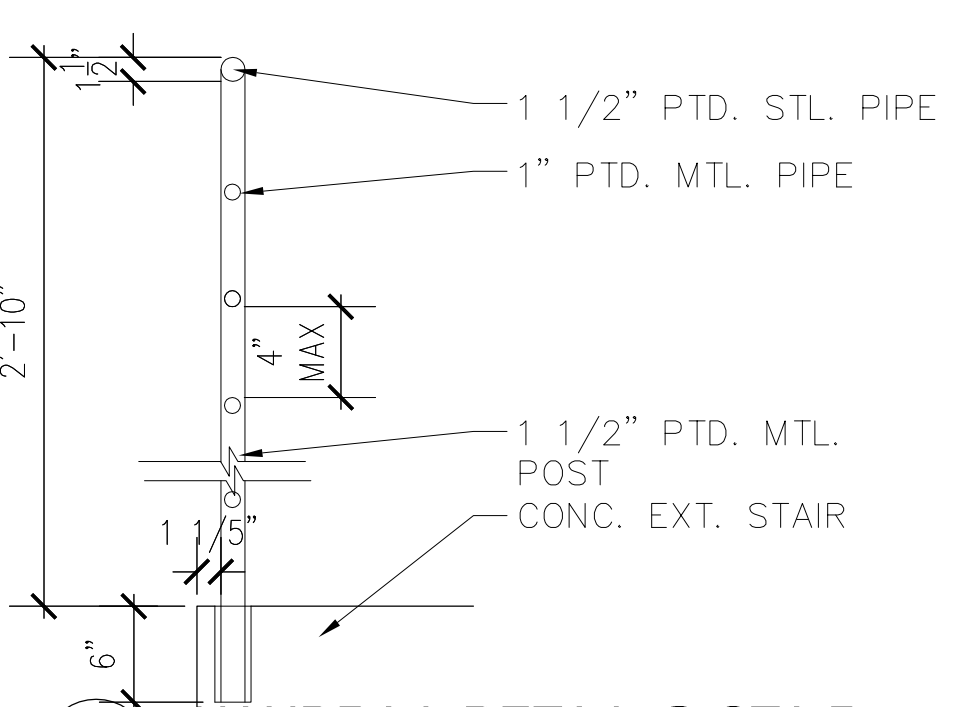
4D HANDRAIL DETAIL @ STAIR
SCALE = 3"=1'-0"



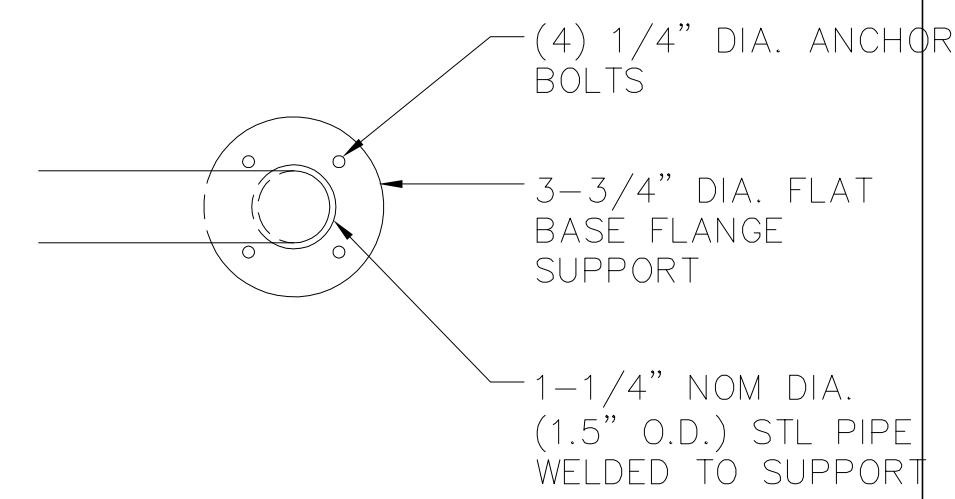
2C STEP @ STAIR
SCALE = 1"=1'-0"



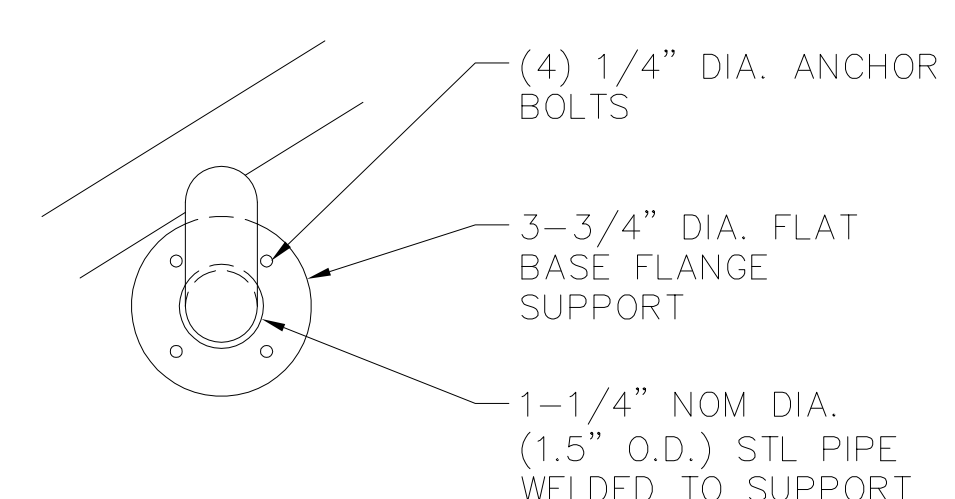
3C HANDRAIL DETAIL @ STAIR
SCALE = 3"=1'-0"



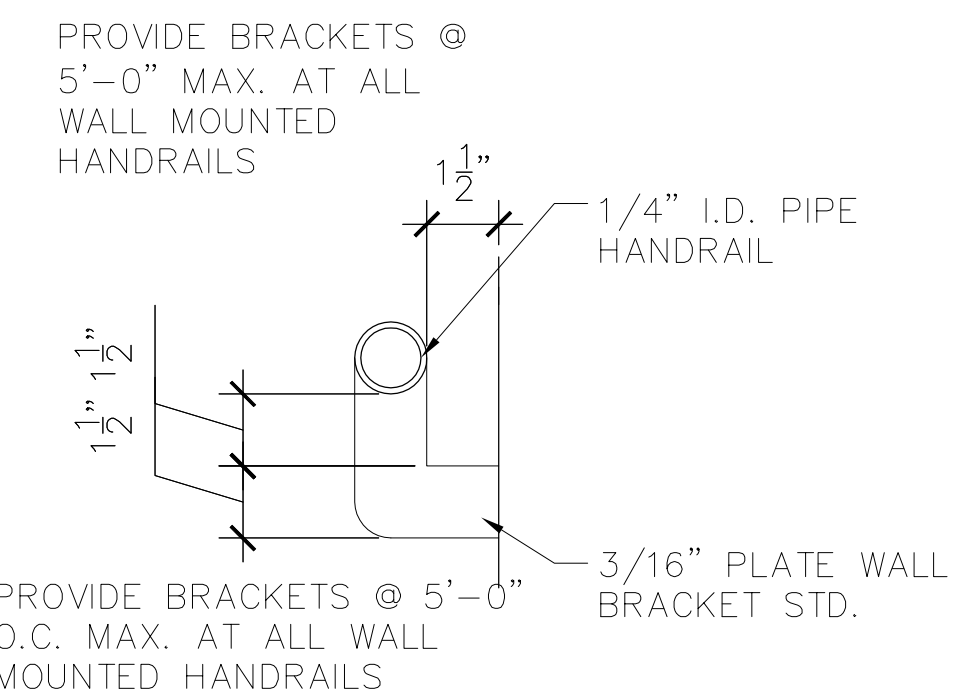
4C HANDRAIL DETAIL @ STAIR
SCALE = 3"=1'-0"



2B HANDRAIL DETAIL @ STAIR
SCALE = 3"=1'-0"



3B HANDRAIL DETAIL @ STAIR
SCALE = 3"=1'-0"



4B HANDRAIL DETAIL @ STAIR
SCALE = 3"=1'-0"

TOILET ACCESSORIES LEGEND

TAG	A	B	C	D	E	F	G	H	J	K	L	M	N	O	P
ITEM	ADULTS TOILET	HANDICAP TOILET	ADULT LAVATORY	HANDICAP LAVATORY	ADULT URINAL	HANDICAP URINAL	LAMINATED TOILET PARTITION	PAPER TOWEL DISPENSER	16"X36" MIRROR	SOAP DISPENSER-WALL MOUNTED	TOILET-PAPER DISPENSER	GRAB BAR (TYP.) SURFACE MOUNTED	GRAB BAR (TYP.) SURFACE MOUNTED	FIRE EXTINGUISHER & CABINET SEMI-RECESSED	DRINKING FOUNTAIN
MOUNTING HEIGHTS	FL. - MOUNTED	FL. - MOUNTED MAX	3'-0" MIN. MA	2'-4" MIN. MA	NOT USED	NOT USED	NOT USED	43"	37" A.F.F. HANDI-CAPPED	40" ST-6TH /ADULT	38"	3'-0" 2'-1"	4'-6" WALL LINE 2" 3'-6" 3'-0" 2'-1"	3'-0" FE. BRACKET MOUNTED	2'-3" 3'-0"

* SEE PLUMBING SPECIFICATIONS FOR PRODUCT AND MANUFACTURERS INFORMATION.

1a TOILET ACCESSORIES MOUNTING HEIGHTS
SCALE = NTS

BYRON B. CARSON, JR., AIA

ARCHITECT

5134 ELMORE, SUITE 6
MEMPHIS, TN 38134
PH: 901.433.9492
FAX: 901.208.8842

bcaronsoninc@comcast.net

COMMERCIAL • MULTI-FAMILY • RESIDENTIAL
ARCHITECTURAL DESIGN & INTERIOR DESIGN

A MEMBER FIRM OF THE
AMERICAN INSTITUTE OF ARCHITECTS SINCE 1985

JVD OFFICE

SOUTHAVEN, MS

SEAL



COPY RIGHTED BY
BYRON B. CARSON, JR., AIA-ARCHITECT - 2014
DRAWINGS, SPECIFICATIONS, AND DESIGN
CONCEPTS CONTAINED HEREWITH SHALL NOT BE
USED OR REPRODUCED IN WHOLE OR IN ANY
FORM, WITHOUT THE WRITTEN CONSENT OF
BYRON B. CARSON, JR., AIA-ARCHITECT. DO NOT
SCALE THESE DRAWINGS. USE GIVEN
DIMENSIONS ONLY. IF NOT SHOWN, VERIFY
CORRECT DIMENSIONS WITH THE ARCHITECT.
CONTRACTOR SHALL VERIFY ALL DIMENSIONS
PRIOR TO INSTALLATION OF THE WORK
DESCRIBED HEREIN.

CONSULTANTS

ISSUES & REVISIONS

NO.	DATE	DESCRIPTION
1	08/07/2014	CODE SUBMITTAL

PROJECT NAME:

PROJECT NUMBER:

DRAWING NAME:

ENLARGED PLAN

DRAWN BY:

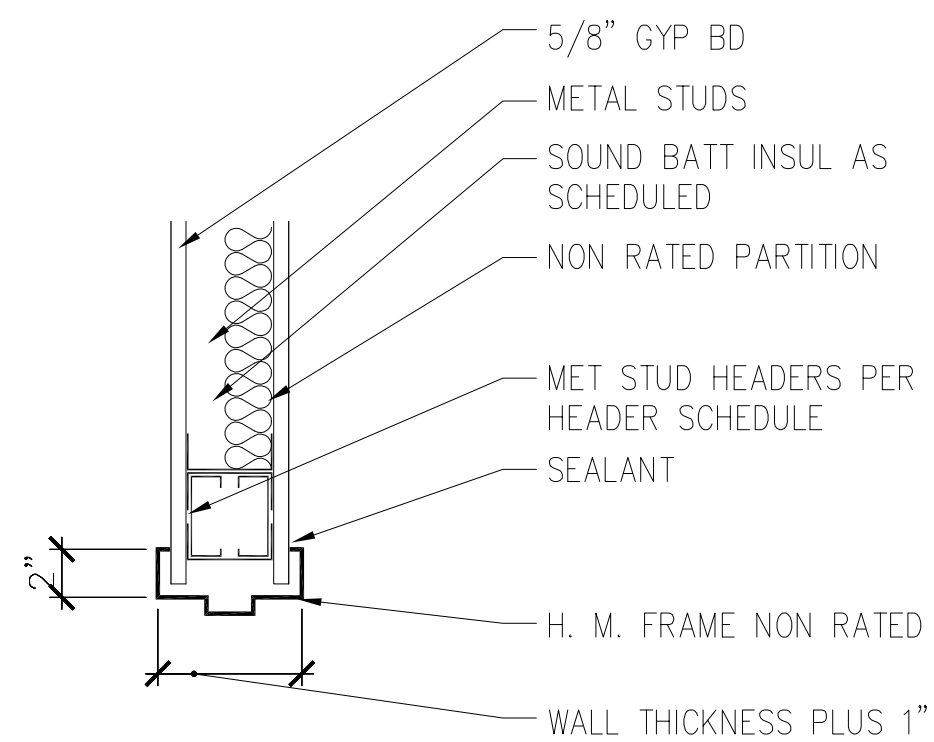
CHECKED BY:

DATE: 08-08-15

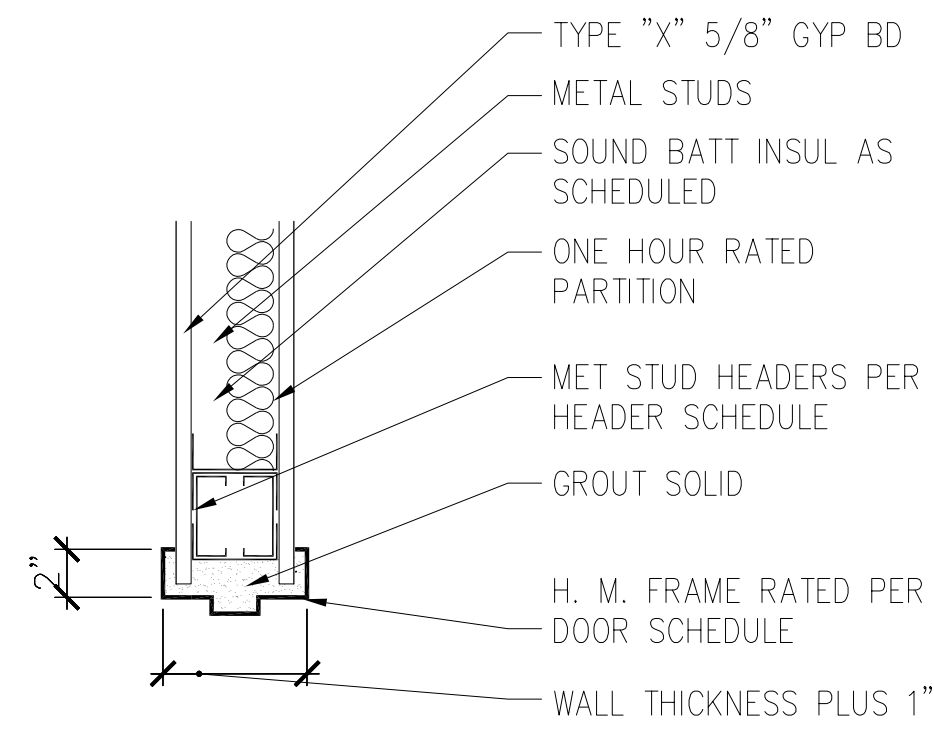
SCALE: AS NOTED

DRAWING NUMBER

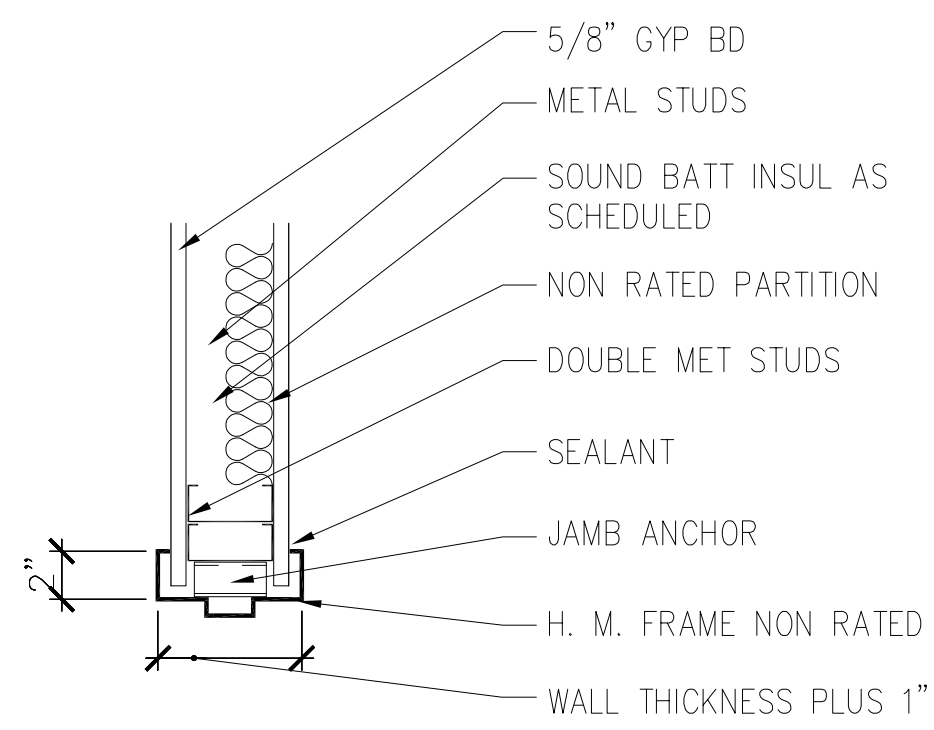
A400



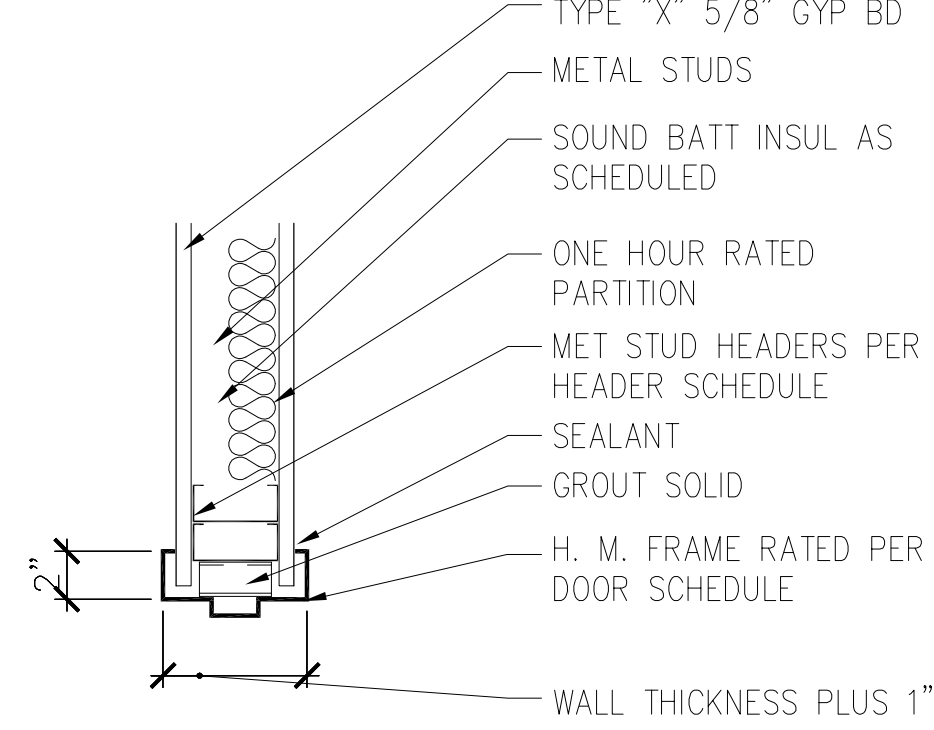
1D DOOR HEAD - NON RATED
SCALE = 1 1/2"=1'-0"



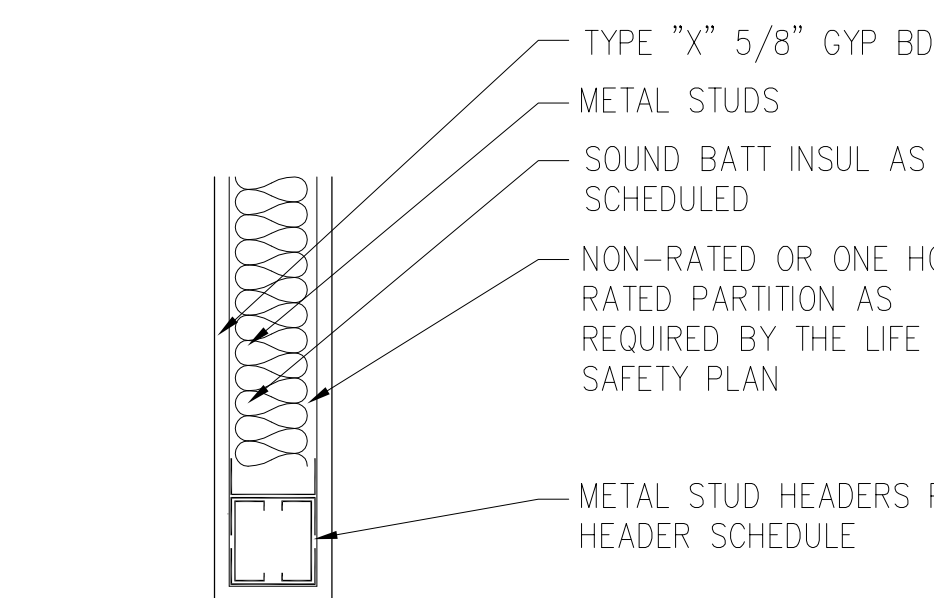
2D DOOR HEAD - RATED
SCALE = 1 1/2"=1'-0"



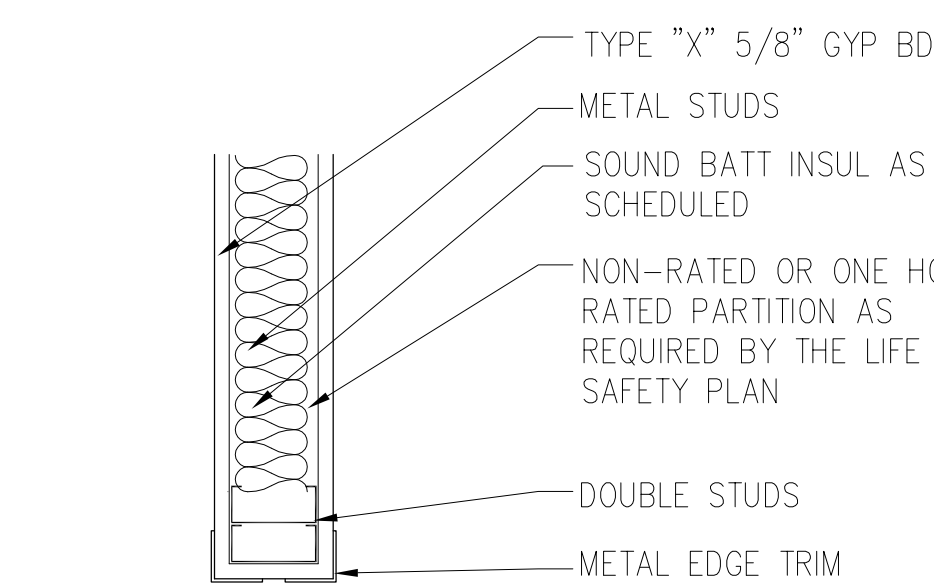
1C DOOR JAMB - NON RATED
SCALE = 1 1/2"=1'-0"



2C DOOR JAMB - RATED
SCALE = 1 1/2"=1'-0"



1B CASE OPENING - HEAD
SCALE = 1 1/2"=1'-0"



1A CASE OPENING - JAMB
SCALE = 1 1/2"=1'-0"

DOOR & FRAME SCHEDULE—FIRST FLOOR

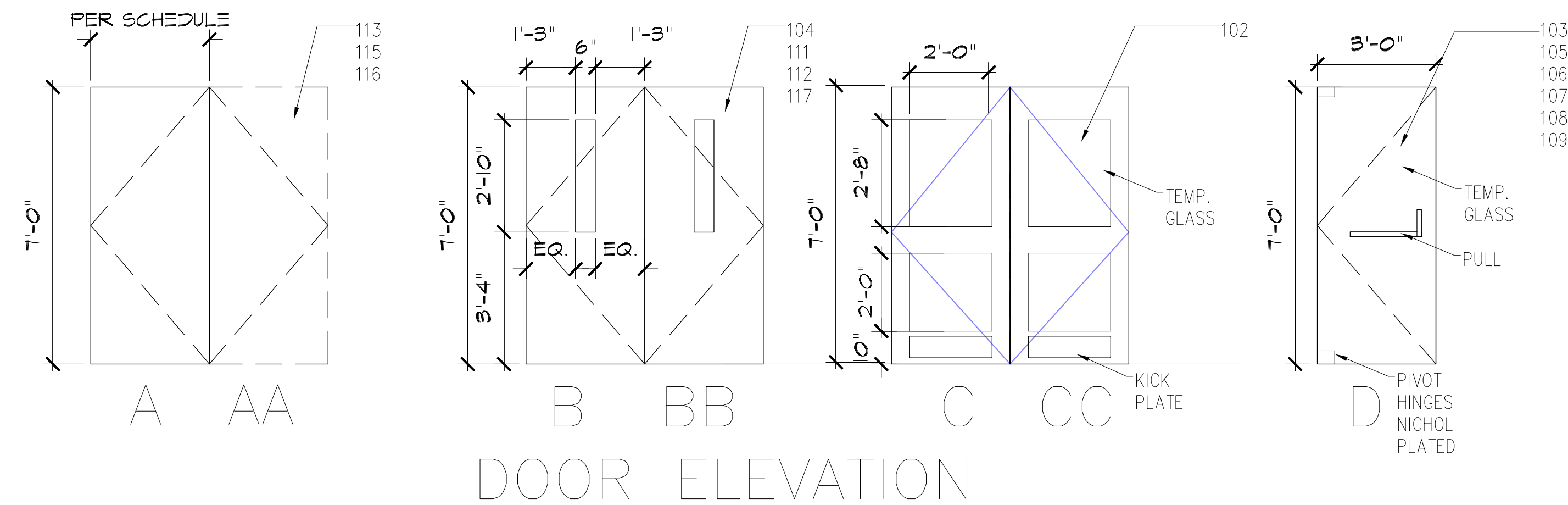
MARK	DOOR			TYPE	MATL.	FRAME TYPE				FIRE RATING LABEL	HDWR SET NO.	NOTES	
	SIZE					MATL.	ELEV.	HEAD DTL.	JAMB DTL.				SILL DTL.
	WD	HGT.	THK.										
101	3'-0"	7'-0"	1-3/4"	CC	AL	HM	-	-	-	-	-	-	-
103	3'-0"	7'-0"	1-3/4"	BB	SCWD	HM	2	2D/A500	2C/A500	-	20 MIN.	-	DOOR CLOSER
104	3'-0"	7'-0"	1-3/4"	BB	SCWD	HM	2	2D/A500	2C/A500	-	20 MIN.	-	DOOR CLOSER
105	3'-0"	7'-0"	1-3/4"	A	SCWD	HM	1	2D/A500	2C/A500	-	20 MIN.	-	DOOR CLOSER
106	3'-0"	7'-0"	1-3/4"	A	SCWD	HM	1	ID/A500	IC/A500	-	-	-	LOCK
107	3'-0"	7'-0"	1-3/4"	A	SCWD	HM	1	2D/A500	2C/A500	-	20 MIN.	-	LOCK
108	3'-0"	7'-0"	1-3/4"	A	MTL.	HM	1	2D/A500	2C/A500	-	20 MIN.	-	-
109	3'-0"	7'-0"	1-3/4"	B	SCWD	HM	1	2D/A500	2C/A500	-	20 MIN.	-	-
110	3'-0"	7'-0"	1-3/4"	A	MTL.	HM	1	1A/A500	2A/A500	-	-	-	RAIN DRIP
112	3'-0"	7'-0"	1-3/4"	A	SCWD	HM	1	ID/A500	IC/A500	-	-	-	PRIMARY LOCK
113	3'-0"	7'-0"	1-3/4"	A	SCWD	HM	1	ID/A500	IC/A500	-	-	-	PRIMARY LOCK
115	3'-0"	7'-0"	1-3/4"	B	SCWD	HM	1	2D/A500	2C/A500	-	20 MIN.	-	-
116	3'-0"	7'-0"	1-3/4"	B	SCWD	HM	1	ID/A500	IC/A500	-	-	-	-
117	3'-0"	7'-0"	1-3/4"	A	SCWD	HM	1	ID/A500	IC/A500	-	-	-	-

DOOR & FRAME SCHEDULE—SECOND FLOOR

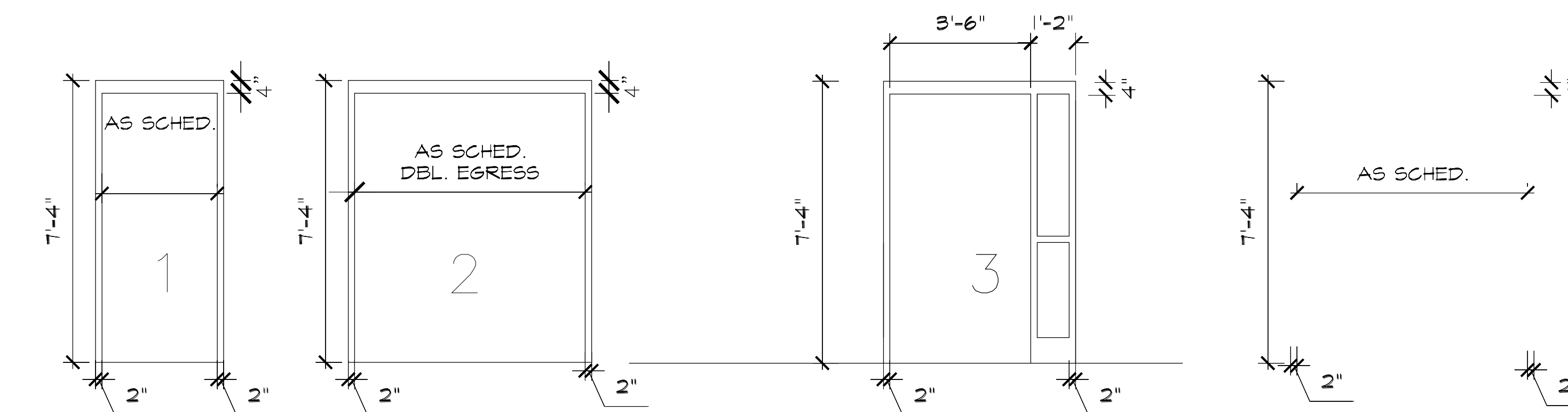
MARK	DOOR SIZE			TYPE	MATL.	FRAME TYPE				FIRE RATING LABEL	HDWR SET NO.	NOTES	
	WD	HGT.	THK.			MATL.	ELEV.	HEAD DTL.	JAMB DTL.				SILL DTL.
201	3'-0"	7'-0"	1-3/4"	A	SCWD	HM	1	ID/A500	IC/A500	-	-	-	-
202	3'-0"	7'-0"	1-3/4"	B	SCWD	HM	1	2D/A500	2C/A500	-	20 MIN.	-	-
204	3'-0"	7'-0"	1-3/4"	B	SCWD	HM	1	ID/A500	IC/A500	-	-	-	-
205	3'-0"	7'-0"	1-3/4"	A	SCWD	HM	1	ID/A500	IC/A500	-	-	-	-

NOTE: REFER TO SPECS FOR DOOR HARDWARE SET

3C DOOR & FRAME SCHEDULE - FIRST FLOOR & SECOND FLOOR
SCALE = NTS



DOOR ELEVATION



DOOR FRAME ELEVATION

3A DOOR & DOOR FRAME
SCALE = 3/8"=1'-0"

BYRON B. CARSON, JR., AIA

ARCHITECT

5134 ELMORE, SUITE 6
MEMPHIS, TN 38134
PH: 901.433.9492
FAX: 901.208.8842

bcaronson.carsoninc@comcast.net

COMMERCIAL • MULTI-FAMILY • RESIDENTIAL
ARCHITECTURAL DESIGN & INTERIOR DESIGN

A MEMBER FIRM OF THE
AMERICAN INSTITUTE OF ARCHITECTS SINCE 1985

JVD OFFICE

SOUTHAVEN, MS

SEAL



COPY RIGHTED BY
BYRON B. CARSON, JR., AIA-ARCHITECT - 2014
DRAWINGS, SPECIFICATIONS, AND DESIGN
CONCEPTS CONTAINED HEREIN SHALL NOT BE
USED OR REPRODUCED IN WHOLE OR IN ANY
FORM, WITHOUT THE WRITTEN CONSENT OF
BYRON B. CARSON, JR., AIA-ARCHITECT. DO NOT
SCALE THESE DRAWINGS. USE GIVEN
DIMENSIONS ONLY. IF NOT SHOWN, VERIFY
CORRECT DIMENSIONS WITH THE ARCHITECT.
CONTRACTOR SHALL VERIFY ALL DIMENSIONS
PRIOR TO INSTALLATION OF THE WORK
DESCRIBED HEREIN.

CONSULTANTS

ISSUES & REVISIONS

NO.	DATE	DESCRIPTION
1	08/07/2014	CODE SUBMITTAL

PROJECT NAME:

PROJECT NUMBER:

DRAWING NAME:

DOOR SCHEDULE

DRAWN BY:

CHECKED BY:

DATE:

SCALE:

DRAWING NUMBER

A500